

Extrablame®

Riscaldamento a Pellet



UK

THERMO PRODUCTS USER MANUAL

MADE IN ITALY
design & production

COMFORT IDRO L80

004280232 - REV.000

APPLY TECHNICAL
DATA LABEL

! ATTENTION



**SURFACES CAN BECOME VERY HOT!
ALWAYS USE PROTECTIVE GLOVES!**

During combustion, thermal energy is released that significantly increases the heat of surfaces, doors, handles, controls, glass, exhaust pipes, and even the front of the appliance. Avoid contact with those elements if not wearing protective clothing (protective gloves included). Make sure children are aware of the danger and keep them away from the stove during operation.

ENGLISH	4
WARNINGS	4
SAFETY	4
ROUTINE MAINTENANCE	6
HYDRAULIC SYSTEM	7
INSTALLATION AND SAFETY DEVICES.....	7
ANTI-CONDENSATION DEVICE (MANDATORY)	8
INSTALLATION	9
PREPARATIONS FOR MAINTENANCE.....	9
COMFORT IDRO L80 DETAILS	11
SAFETY LATCH AND EXTRACTION OF THE INSERT.....	12
FEATURES	13
REARM.....	13
FUZE.....	13
COMFORT INSERT IDRO L80 INSTALLATION	14
MINIMUM CLEARANCE.....	14
FRESH AIR DUCTS.....	15
ASSEMBLY WITH PEDESTAL (OPTIONAL)	17
FRONT PELLET LOADING KIT (OPTIONAL)	18
PELLETS AND LOADING	19
CHECKS AND PRECAUTIONS FOR FIRST IGNITION	19
THE PELLET LOADING MOTOR DOES NOT WORK.....	19
RADIO/EMERGENCY CARD	20
HANDHELD	21
CONFIGURATION.....	21
BATTERY TYPE AND REPLACEMENT.....	21
HANDHELD FEATURES	22
DISPLAY	23
GENERAL MENU	24
GENERAL WARNINGS.....	24
COMMISSIONING SETTINGS	25
DATE AND TIME.....	25
LANGUAGE.....	25
SET DEGREES.....	25
OPERATION AND LOGIC	26
SET	27
POWER.....	27
ROOM TEMPERATURE.....	27
H2O TEMPERATURE.....	27
VENTILATION.....	27
EASY SETUP.....	27
SET CHRONO.....	28
ENABLE CHRONO.....	28
PRG 1-4.....	28
SETTINGS	29
DISPLAY.....	29
STAND-BY.....	29
FIRST LOAD.....	29
OUTLET AIR.....	29
CLEANING THE EXCHANGER.....	29
RESET.....	30
ADDITIONAL FUNCTIONS.....	30
AUX.....	30
LCD HANDHELD REMOTE ROOM PROBE CALIBRATION.....	30
ADDITIONAL THERMOSTAT.....	30
ADDITIONAL THERMOSTAT INSTALLATION.....	30
CLEANING AND MAINTENANCE	31
MAINTENANCE	31
PERIODIC CLEANING BY THE USER.....	31
ROUTINE MAINTENANCE PERFORMED BY QUALIFIED TECHNICIANS	33
DECOMMISSIONING (END OF SEASON).....	33
DISPLAYS	35
ALARMS	35
DISPOSAL	37

We thank you for having chosen our company; our product is a great heating solution developed from the most advanced technology with top quality machining and modern design, aimed at making you enjoy the fantastic sensation that the heat of a flame gives, in complete safety.

WARNINGS

This instructions manual is an integral part of the product: make sure that it always accompanies the appliance, even if transferred to another owner or user, or if transferred to another place. If it is damaged or lost, request another copy from the area technician. This product is intended for the use for which it has been expressly designed. The manufacturer is exempt from any liability, contractual and extracontractual, for injury/damage caused to persons/animals and objects, due to installation, adjustment and maintenance errors and improper use.

Installation must be performed by qualified staff, which assumes complete responsibility for the definitive installation and consequent good functioning of the product installed. One must also bear in mind all laws and national, regional, provincial and town council Standards present in the country in which the appliance has been installed, as well as the instructions contained in this manual.

The use of the appliance must comply with all local, regional, national and European regulations.

The Manufacturer cannot be held responsible for the failure to comply with such precautions.

After removing the packaging, ensure that the content is intact and complete. Otherwise, contact the dealer where the appliance was purchased. All electric components that make up the product must be replaced with original spare parts exclusively by an authorised after-sales centre, thus guaranteeing correct functioning.

SAFETY

♦ THE APPLIANCE MAY BE USED BY CHILDREN 8 YEARS OF AGE OR OLDER AND INDIVIDUALS WITH REDUCED PHYSICAL, SENSORY, OR MENTAL CAPACITIES OR WITHOUT EXPERIENCE OR THE NECESSARY KNOWLEDGE, PROVIDED THAT THEY ARE SUPERVISED OR HAVE

RECEIVED INSTRUCTIONS ON SAFE USE OF THE APPLIANCE AND THAT THEY UNDERSTAND THE INHERENT DANGERS.

- ◆ THE GENERATOR MUST NOT BE USED BY PERSONS (INCLUDING CHILDREN) WITH REDUCED PHYSICAL, SENSORY AND MENTAL CAPACITIES OR WHO ARE UNSKILLED PERSONS, UNLESS THEY ARE SUPERVISED AND TRAINED REGARDING USE OF THE APPLIANCE BY A PERSON RESPONSIBLE FOR THEIR SAFETY.
- ◆ THE CLEANING AND MAINTENANCE REQUIRED BY THE USER MUST NOT BE PERFORMED BY CHILDREN WITHOUT SUPERVISION.
- ◆ CHILDREN MUST BE CHECKED TO ENSURE THAT THEY DO NOT PLAY WITH THE APPLIANCE.
- ◆ DO NOT TOUCH THE GENERATOR WHEN YOU ARE BAREFOOT OR WHEN PARTS OF THE BODY ARE WET OR DAMP.
- ◆ IT IS FORBIDDEN TO MODIFY THE APPLIANCE IN ANY WAY.
- ◆ DO NOT PULL, REMOVE, TWIST THE ELECTRICAL CABLES COMING OUT OF THE PRODUCT EVEN IF IT IS DISCONNECTED FROM THE MAINS.
- ◆ IT IS ADVISED TO POSITION THE POWER SUPPLY CABLE SO THAT IT DOES NOT COME INTO CONTACT WITH HOT PARTS OF THE APPLIANCE.
- ◆ THE POWER SUPPLY PLUG MUST BE ACCESSIBLE AFTER INSTALLATION.
- ◆ DO NOT CLOSE OR REDUCE THE DIMENSIONS OF THE AIRING VENTS IN THE PLACE OF INSTALLATION. THE AIRING VENTS ARE ESSENTIAL FOR CORRECT COMBUSTION.
- ◆ DO NOT LEAVE THE PACKAGING ELEMENTS WITHIN REACH OF CHILDREN OR UNASSISTED DISABLED PERSONS.
- ◆ THE HEARTH DOOR MUST ALWAYS BE CLOSED DURING NORMAL FUNCTIONING OF THE PRODUCT.
- ◆ WHEN THE APPLIANCE IS FUNCTIONING AND HOT TO THE TOUCH, ESPECIALLY ALL EXTERNAL SURFACES, ATTENTION MUST BE PAID
- ◆ CHECK FOR THE PRESENCE OF ANY OBSTRUCTIONS BEFORE SWITCHING THE APPLIANCE ON FOLLOWING A PROLONGED PERIOD OF INACTIVITY.
- ◆ THE GENERATOR HAS BEEN DESIGNED TO ADJUST ITSELF AUTOMATICALLY IN PARTICULAR OPERATING CONDITIONS
- ◆ THE GENERATOR HAS BEEN DESIGNED TO FUNCTION IN ANY CLIMATIC CONDITION. IN PARTICULARLY ADVERSE CONDITIONS

(STRONG WIND, FREEZING) SAFETY SYSTEMS MAY INTERVENE THAT SWITCH THE GENERATOR OFF. IF THIS OCCURS, CONTACT THE TECHNICAL AFTER-SALES SERVICE AND ALWAYS DISABLE THE SAFETY SYSTEMS.

♦ **IN THE EVENT THE FLUE CATCHES FIRE, USE SUITABLE SYSTEMS FOR SUFFOCATING THE FLAMES OR REQUEST HELP FROM THE FIRE BRIGADE.**

♦ **THIS APPLIANCE MUST NOT BE USED TO BURN WASTE**

♦ **DO NOT USE ANY FLAMMABLE LIQUIDS FOR IGNITION**

♦ **DURING THE FILLING PHASE DO NOT PUT THE BAG OF PELLETS TO INTO CONTACT WITH THE PRODUCT**

♦ **THE MAJOLICAS ARE TOP QUALITY ARTISAN PRODUCTS AND AS SUCH CAN HAVE MICRO-DOTS, CRACKLES AND CHROMATIC IMPERFECTIONS. THESE FEATURES HIGHLIGHT THEIR VALUABLE NATURE. DUE TO THEIR DIFFERENT DILATION COEFFICIENT, THEY PRODUCE CRACKLING, WHICH DEMONSTRATE THEIR EFFECTIVE AUTHENTICITY. TO CLEAN THE MAJOLICAS, IT IS RECOMMENDED TO USE A SOFT, DRY CLOTH. IF A DETERGENT OR LIQUID IS USED, THE LATTER COULD PENETRATE INSIDE THE CRACKLES, HIGHLIGHTING THEM.**

♦ **SINCE THE PRODUCT CAN TURN ON AUTOMATICALLY THANKS TO THE TIMER, OR REMOTELY USING THE DEDICATED APPLICATIONS, IT IS STRICTLY FORBIDDEN TO LEAVE ANY COMBUSTIBLE OBJECT WITHIN THE SAFETY DISTANCES INDICATED ON THE TECHNICAL DATA PLATE.**

♦ **INTERNAL COMBUSTION CHAMBER PARTS CAN BE SUBJECT TO EXTETICAL WARN, IT DOESN'T AFFECT THE FUNCTIONALITY**

ROUTINE MAINTENANCE

Based on Decree 22 January 2008 n°37 art.2, routine maintenance means interventions aimed at reducing degradation due to normal use, as well as dealing with accidental events entailing the need of first interventions, which however do not modify the structure of the system upon which one is intervening or its intended use according to the requirements laid down by the technical standards in force and by the manufacturer's use and maintenance manual.

HYDRAULIC SYSTEM

Certain concepts referring to the Italian Standard UNI 10412-2 (2009) are described in this chapter.

As previously described, when installing, all national, regional, provincial and council Standards in force provided by the country in which the appliance has been installed must be complied with.

During installation of the generator it is MANDATORY to adjust the system with a manometer in order to display the water pressure.

TABLE OF SAFETY DEVICES FOR CLOSED VESSEL SYSTEM AND NOT PRESENT IN THE PRODUCT

Safety valve	✓
Pump control thermostat (it is managed by the water probe and the board program)	✓
Water temperature indicator (display)	✓
Pressure transducer with display	✓
Automatic circuit breaker adjustment switch (managed by board program)	✓
Pressure transducer with minimum and maximum pressure switch alarm	✓
Water overheating automatic circuit breaker switch (block thermostat)	✓
Circulation system (pump)	✓
Expansion system	✓

Pay attention to the correct sizing of the system:

- ♦ generator power compared to the thermal requirement
- ♦ possible need for a buffer tank

INSTALLATION AND SAFETY DEVICES

The installation, relative system connections, commissioning and inspection of correct functioning must be carried out perfectly, in full compliance with Standards in force, national, regional and municipal, as well as these instructions. For Italy, installation must be carried out by professionally qualified staff (Ministerial Decree dated 22.01.08 n°37).

Extraflame S.p.A. declines all responsibility for damage to objects and/or persons caused by the system.

TYPE OF SYSTEM

- ♦ There are 2 different types of system:
- ♦ Open vessel system and closed vessel system.
- ♦ The product has been designed and made to work with closed vessel systems.

CHECK THAT THE PRELOAD OF THE EXPANSION VESSEL IS SET TO 1.5 BAR.

SAFETY DEVICES FOR CLOSED VESSEL SYSTEM

In accordance with the UNI 10412-2 (2009) regulation in force in Italy, all the closed systems must be fitted with: safety valve, pump control thermostat, temperature indicator, pressure indicator, automatic circuit breaker block switch (block thermostat), circulation system, expansion system, and safety dissipation built-in to the generator with thermal safety valve (self-activated), if the appliance does not have a temperature self-adjustment system.

INSTALLATION

GENERAL

The flue gas exhaust and hydraulic connections must be carried out by qualified personnel who must issue installation conformity documentation compliant with national standards.

The installer must provide the owner or person acting for him, according to the legislation in force, with the declaration of conformity, supplied with:

- 1) the use and maintenance manual of the appliance and of the system components (such as for example, the smoke ducts, chimney, etc.);
- 2) photocopy or photograph of the chimney plaque;
- 3) system booklet (where applicable).

The installer must ask to be issued with a receipt stating that the documentation has been provided, and must keep it with a copy of the technical documentation relating to the installation.

For installation in a condominium, prior approval from the condominium's administrator must be requested.

Where required, check the exhaust gas emissions after installation. Should a sampling point be installed, it must be airtight.

COMPATIBILITY

Do not install in rooms with a fire hazard. It is also forbidden to install it in living areas with the following characteristics:

1. where there are liquid fuel appliances with continuous or discontinuous operation that draw the combustion air into the room in which they are installed.
2. where there are type B gas appliances intended for heating, with or without domestic hot water production and in adjacent and communicating rooms.
3. where the depression measured in situ between the external and internal environment is greater than 4 Pa.

N.B.: Watertight appliances can also be installed in the cases indicated in points 1, 2 and 3 of this paragraph.

INSTALLATIONS IN BATHROOMS, BEDROOMS AND STUDIO FLATS

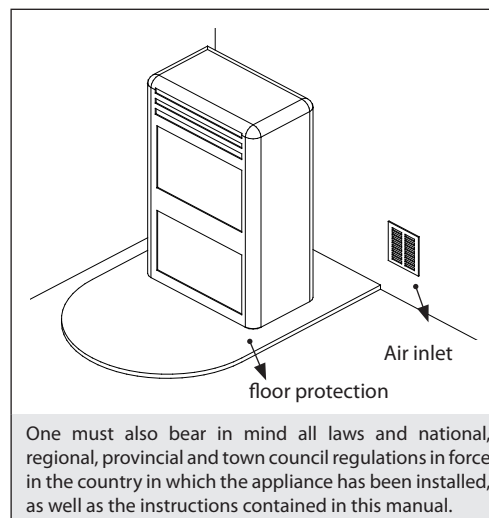
Installation in bathrooms, bedrooms and studio flats is only allowed for sealed or closed hearth appliances with ducted combustion air taken from the outside.

POSITIONING AND SAFETY DISTANCES

The support surfaces and/or points must have a suitable capacity to bear the overall weight of the appliance, accessories and coverings. If the floor is made of a combustible material, we recommend using a non-combustible material to protect the front part from any burnt material which might fall during routine cleaning operations. The generator must be level to function properly. The side walls, the rear walls and the floor support surface should be made of non-combustible material.

MINIMUM DISTANCES (PELLET STOVES)

Installation next to flammable or heat-sensitive materials is permitted **only if the special safety distances specified on the label at the beginning of the manual (pag.2) are observed**. If the materials are not flammable, you must keep a side and rear distance of at least 100 mm (without the inserts). For products equipped with rear spacers, wall-mounting installation is permitted exclusively for the rear side.



PREPARATIONS FOR MAINTENANCE

To carry out extraordinary maintenance operations on the product, it may be necessary to move it away from the adjacent walls. This must be done by a technician authorised to disconnect the combustion product evacuation ducts and then reconnect them. For heaters connected to the hydraulic system, the connection between the system itself and the product must be made in such a way that, when an authorised technician is about to carry out extraordinary maintenance operations, it is possible to move the heater at least 1 metre away from the adjacent walls.

INSTALLING INSERTS

When installing inserts, access must be prevented to the internal parts of the appliance and it must not be possible to access live parts during extraction operations.

Any wiring, for example the power cable or room probe, must be positioned so as not to be damaged during movement of the insert and must not come into contact with hot parts. If a cavity made of combustible material is installed, we recommend taking all the safety precautions indicated by the installation standards.

VENTILATION AND AERATION OF INSTALLATION ROOMS

In case of non-airtight heater and/or installation, the ventilation must respect the minimum area indicated below (considering the highest value among those provided):

Appliance categories	Reference standard	Percentage of the net opening section with respect to the appliance fumes outlet section	Minimum net opening value of the ventilation duct
Pellet stoves	UNI EN 14785	-	80 cm ²
Boilers	UNI EN 303-5	50%	100 cm ²

Under any condition, including in the presence of extractor hoods and/or of controlled forced ventilation systems, the pressure difference between the generator installation rooms and the outside must always be equal to or less than 4 Pa.

In the presence of type B gas appliances with intermittent operation not intended for heating, they must have their own aeration and/or ventilation opening.

The air inlets must meet the following requirements:

- ♦ they must be protected with grids, metal mesh, etc., but without reducing the net useful section;
- ♦ they must be made so as to make the maintenance operations possible;
- ♦ positioned so that they cannot be obstructed;

The clean and non-contaminated air flow can also be obtained from a room adjacent to that of installation (indirect aeration and ventilation), as long as the flow takes place freely through permanent openings communicating with the outside.

The adjacent room cannot be used as a garage, or to store combustible material or for any other activity with a fire hazard, bathroom, bedroom or common room of the building.

FLUE GAS EXHAUST

The heat generator works in depression and is equipped with an outlet fan for flue gas extraction. There must be a single exhaust system for the generator. Using a flue that is shared with other devices is not allowed.

The components of the flue gas exhaust system must be chosen in relation to the type of appliance to be installed in compliance with:

- ♦ UNI/TS 11278 in the event of metal chimneys, with particular attention to that stated in the specification;
- ♦ UNI EN 13063-1 and UNI EN 13063-2, UNI EN 1457, UNI EN 1806 in the event of non-metallic chimneys.
- ♦ The length of the horizontal section must be minimal and, in any case, no longer than 3 metres, with a minimum upward slope of 3%
- ♦ There must not be more than 4 direction changes including the one due to the use of the "T" element.
- ♦ A "T" fitting with a condensation collection cap must be provided at the base of the vertical section.
- ♦ If the exhaust is not inserted in an existing flue, a vertical section with a windproof end piece is required (UNI 10683).
- ♦ The vertical duct can be inside or outside the building. If the smoke duct is inserted in an existing flue, it must be certified for solid fuel.
- ♦ If the smoke duct is outside the building, it must always be insulated.
- ♦ The smoke ducts must have at least one airtight inlet for flue gas sampling.
- ♦ All the sections of the flue gas duct must be accessible to inspection.
- ♦ Inspection openings must be provided for cleaning.
- ♦ If the generator has a fume temperature lower than 160°C+ ambient temperature caused by the high yield (contact technicians) it MUST be resistant to humidity.
- ♦ A flue system that does not respect the previous points or, in general, that does not comply with the regulations, may cause condensation phenomena inside it.

CHIMNEY CAP

The chimney caps must meet the following requirements:

- ♦ they must have a useful outlet section no less than double that of the chimney/ducted system on which it is installed;
- ♦ they must be adapted in order to prevent the penetration of rain and snow in the chimney/ducted system;
- ♦ they must be built so that, in the event of winds coming from all directions and from any angle, the expulsion of combustion products is in any case ensured;

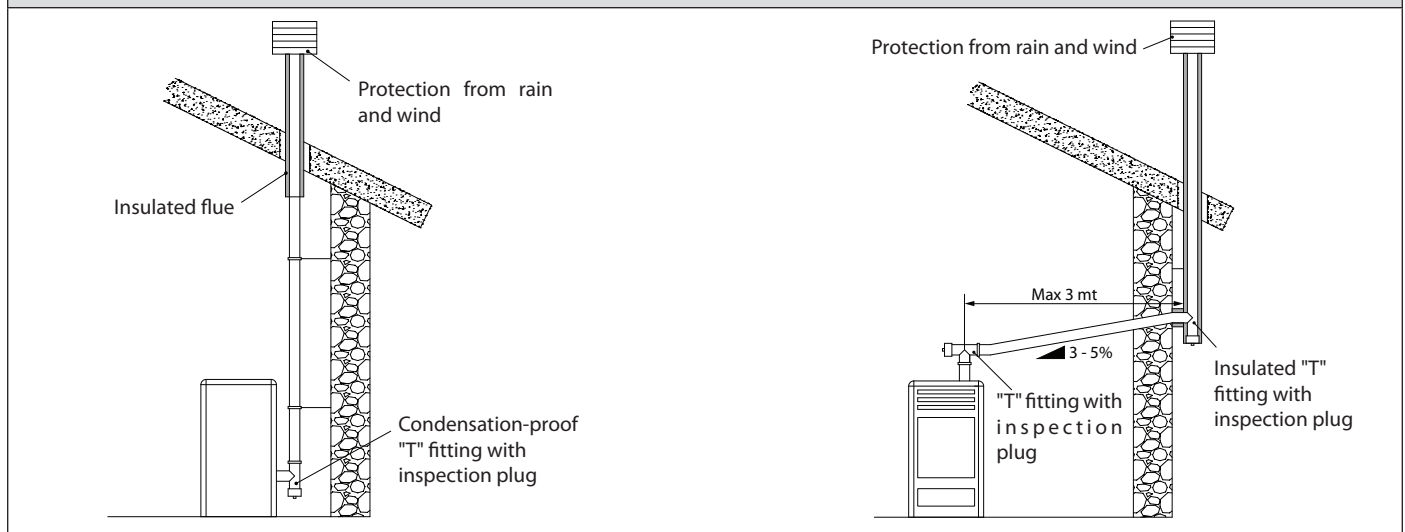
FOR GERMANY ONLY

The product can be connected to a shared flue (multi-connection) provided that the requirements of the regional and national regulations, amongst which DIN EN 13384-2, DIN V 18160-1, DIN 18896 and of the MFeuV-2007 (Muster-Feuerungsverordnung) are strictly complied with, and that the local chimney sweep has checked and approved the installation conditions.

Please also remember the following indications, which the end user must comply with:

- The device can be operated only with the doors closed.
- The doors and all setting devices must remain closed when the device is not on (except for cleaning and maintenance operations).

EXAMPLES OF CORRECT CONNECTION TO THE CHIMNEY



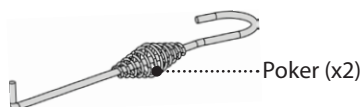
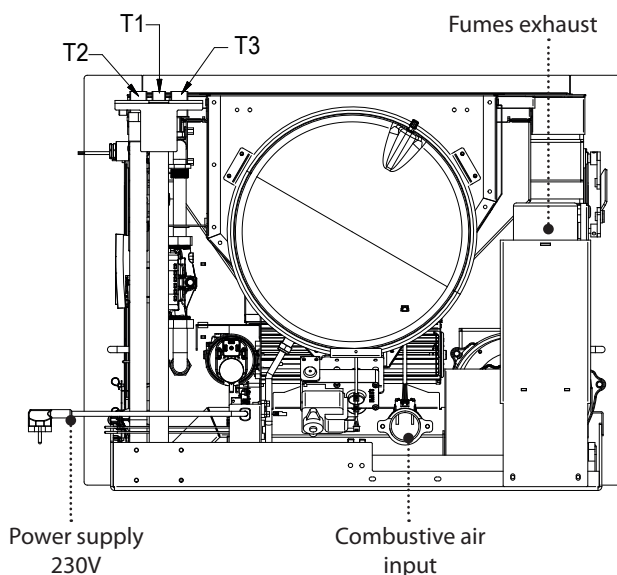
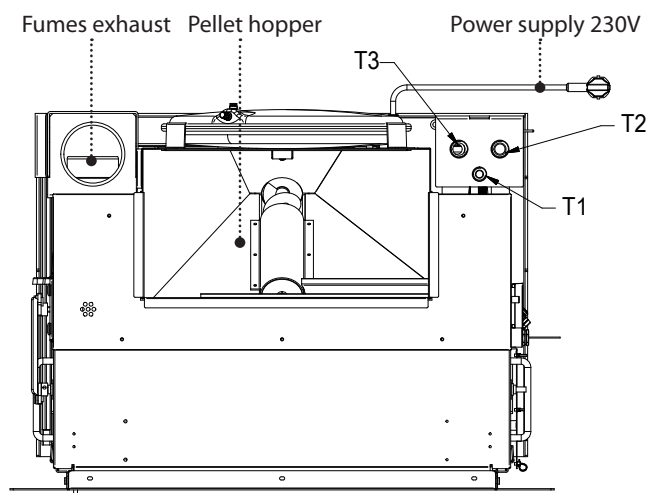
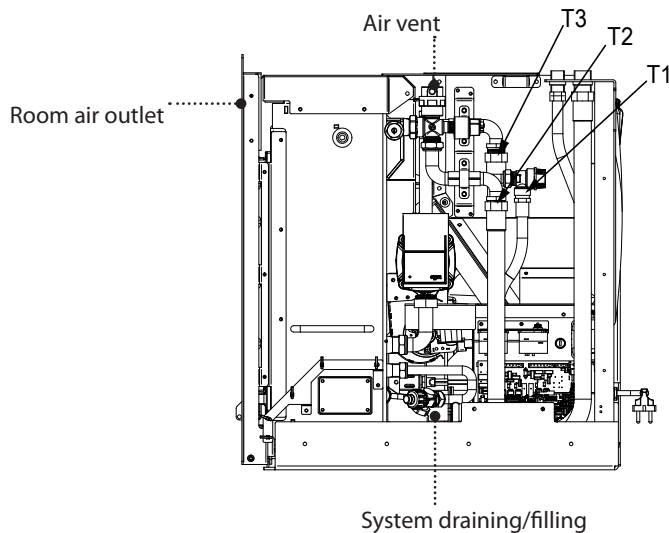
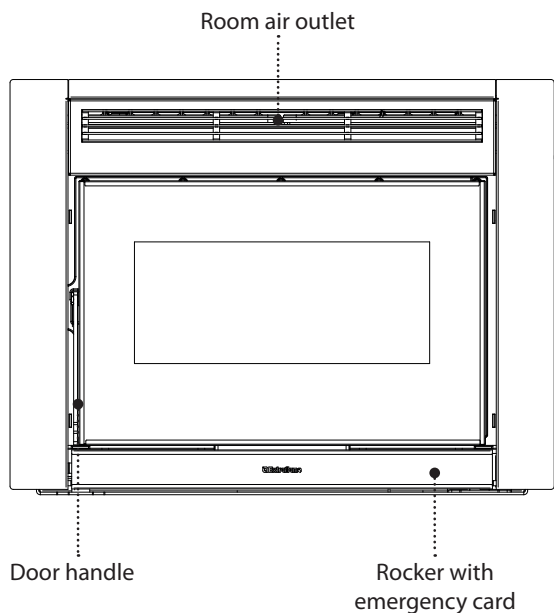
CONNECTION TO THE MAINS ELECTRIC SUPPLY

The generator is supplied with an electric power cable to be plugged into a 230V 50 Hz socket, possibly with a circuit breaker switch. The socket must be easily accessible.

The electrical system must be compliant with standards. The efficiency of the earthing circuit must be checked. Unsuitable earthing of the system can cause malfunctioning for which the manufacturer will not be held liable.

Power supply variations beyond 10% can cause faulty operation of the product.

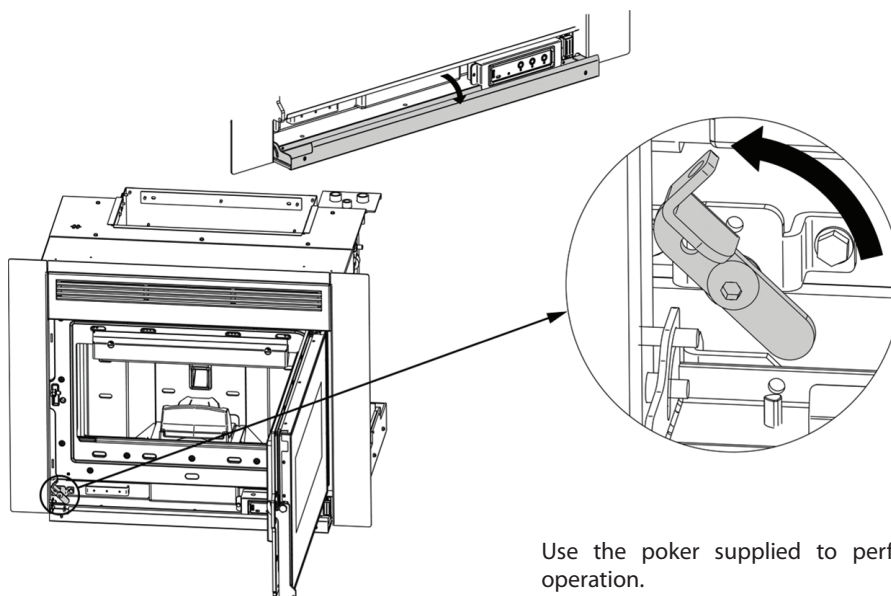
COMFORT IDRO L80 DETAILS



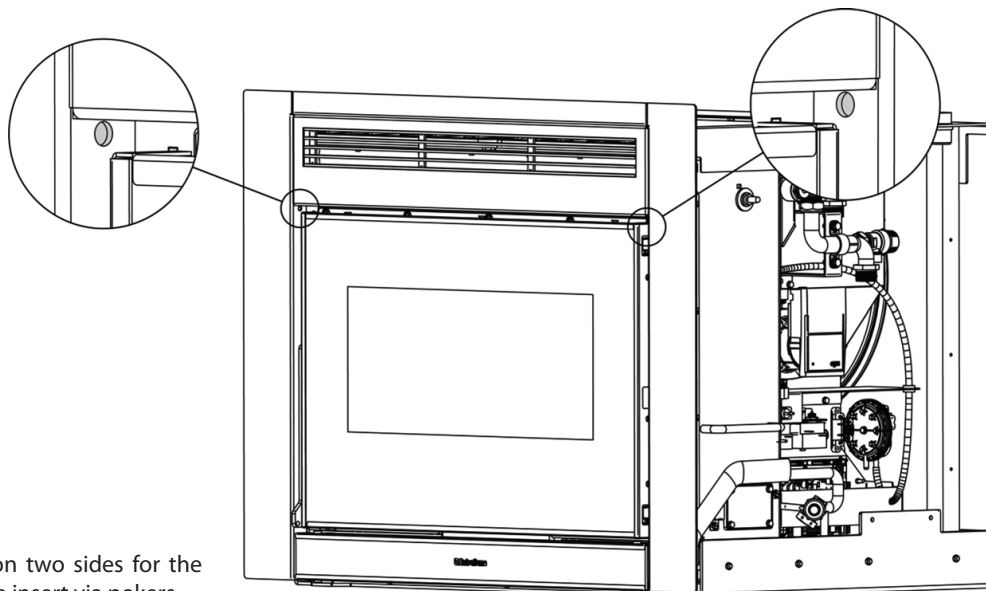
HYDRAULIC INSTALLATION

T1	3 bar safety drain
T2	Boiler flow/output
T3	Boiler return/input

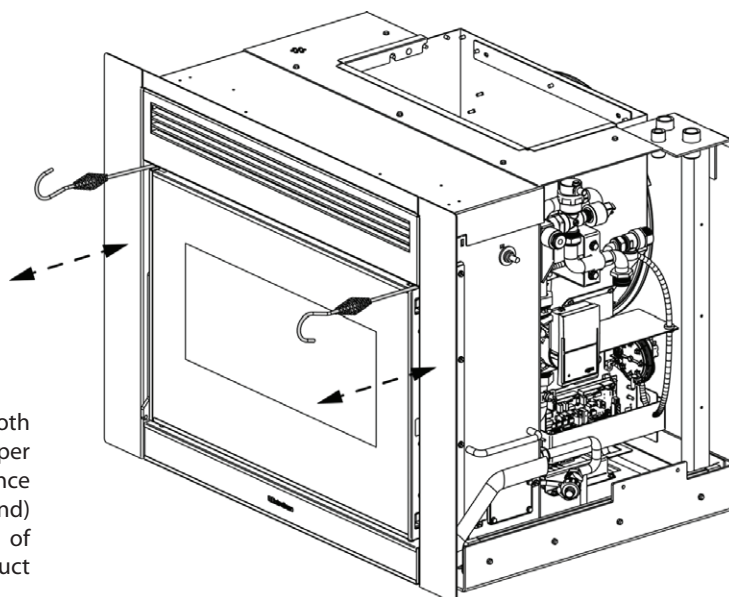
SAFETY LATCH AND EXTRACTION OF THE INSERT



Use the poker supplied to perform the release/block operation.



Holes present on two sides for the extraction of the insert via pokers.



Extraction of the insert allows both to load the pellet inside the hopper and to perform routine maintenance (cleaning the ash pipe at year end) or extraordinary (replacement of mechanical parts if the product should break).

FEATURES

Water content of the thermo-product heat exchanger (l)	14.6
Volume of expansion vessel integrated into thermo-product (l)	*6
3 bar safety valve integrated into the thermo-product	YES
Minimum and maximum pressure switch integrated into the thermo-product	YES
Pump integrated into the thermo-product	YES
Pump max. head (m)	6

* ENVISION ANY INTEGRATIVE EXPANSION VESSEL ON THE BASIS OF THE SYSTEM WATER CONTENT.



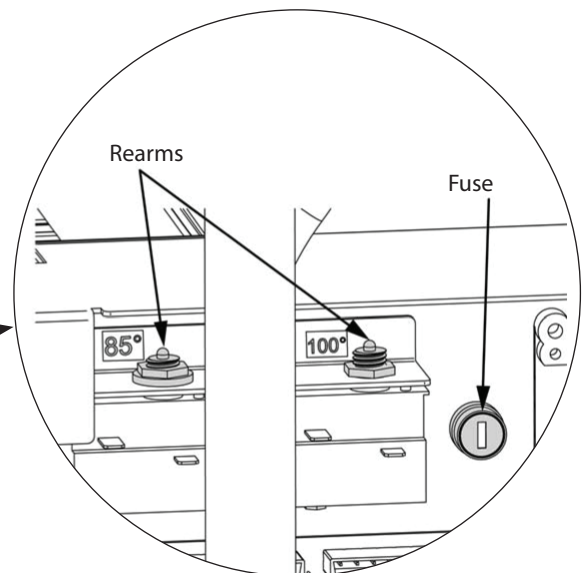
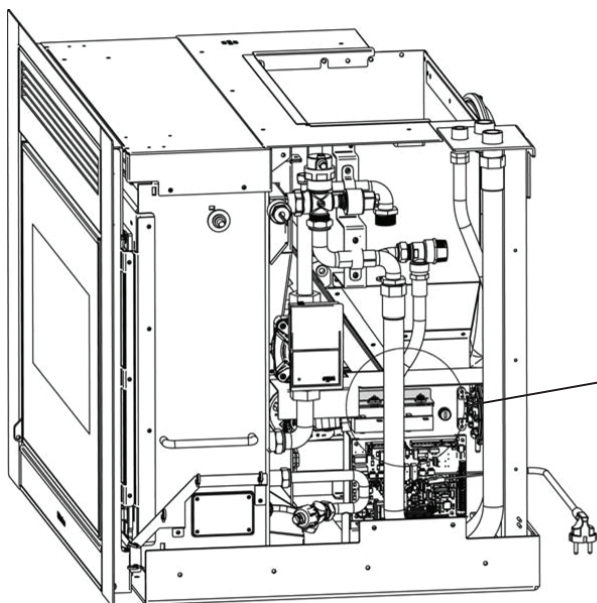
CONSULT THE HYDRAULIC DIAGRAMS MANUAL FOR THE DETAILS OF THE CIRCULATOR INSTALLED.

REARM

The figures below show the rearm positions of the hopper and H2O. It is recommended to contact the qualified technician if one of the rearms should be triggered, so as to verify the cause.

FUSE

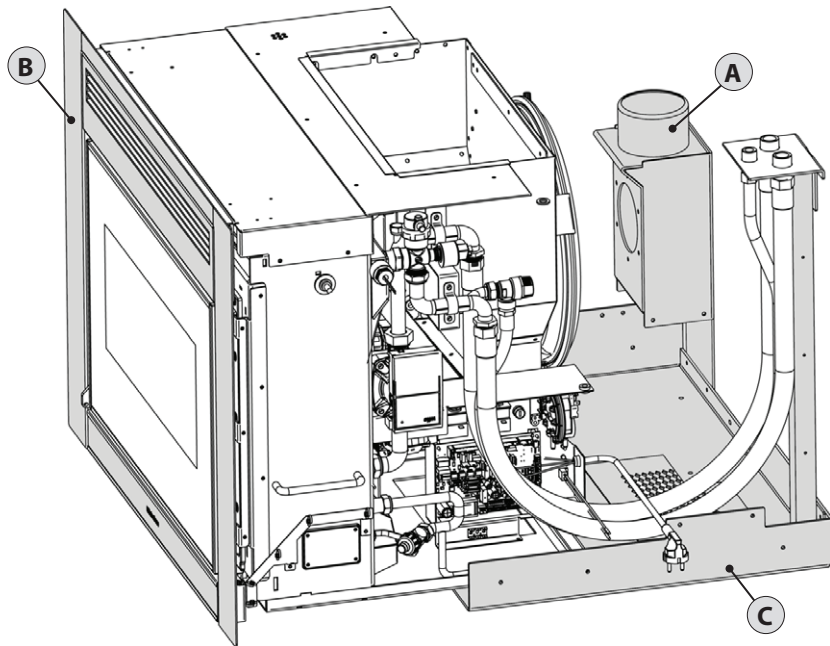
If the stove is not powered, have the condition of the fuse checked by a qualified technician.



INSERT PREPARATION AND INSTALLATION, SEE ATTACHED FILE "INSERT PREPARATION AND ASSEMBLY"

COMFORT INSERT IDRO L80 INSTALLATION

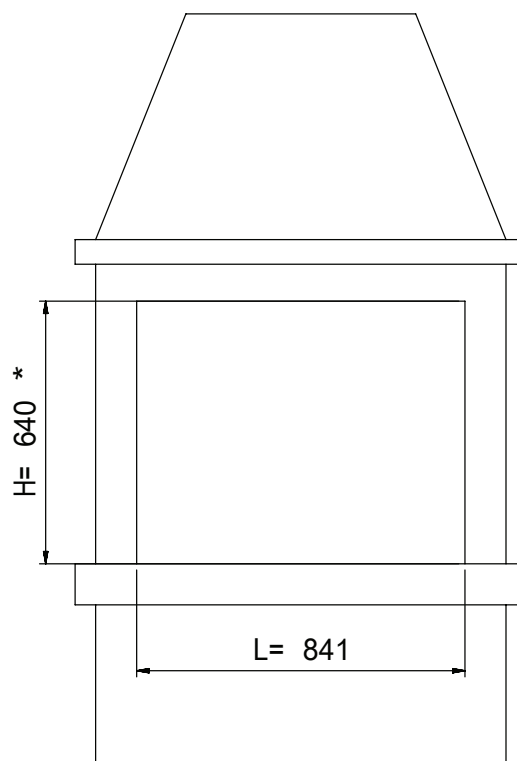
The insert is supplied with a sliding base in iron that allows it to be installed in a pre-existing chimney. This sliding base allows the insert to be removed easily to load the pellets inside the hopper and for any maintenance or cleaning at the end of the season. If there is no pre-existing chimney, one can be built using an insert-holder pedestal optional kit). In fact, the latter fixes the insert to the ground.



DESCRIPTION OF COMPONENTS:

- A. Fumes exhaust outlet
- B. Adaption frame
- C. Sliding base and track

MINIMUM CLEARANCE



* With front loading box kit H= 700 mm

FRESH AIR DUCTS

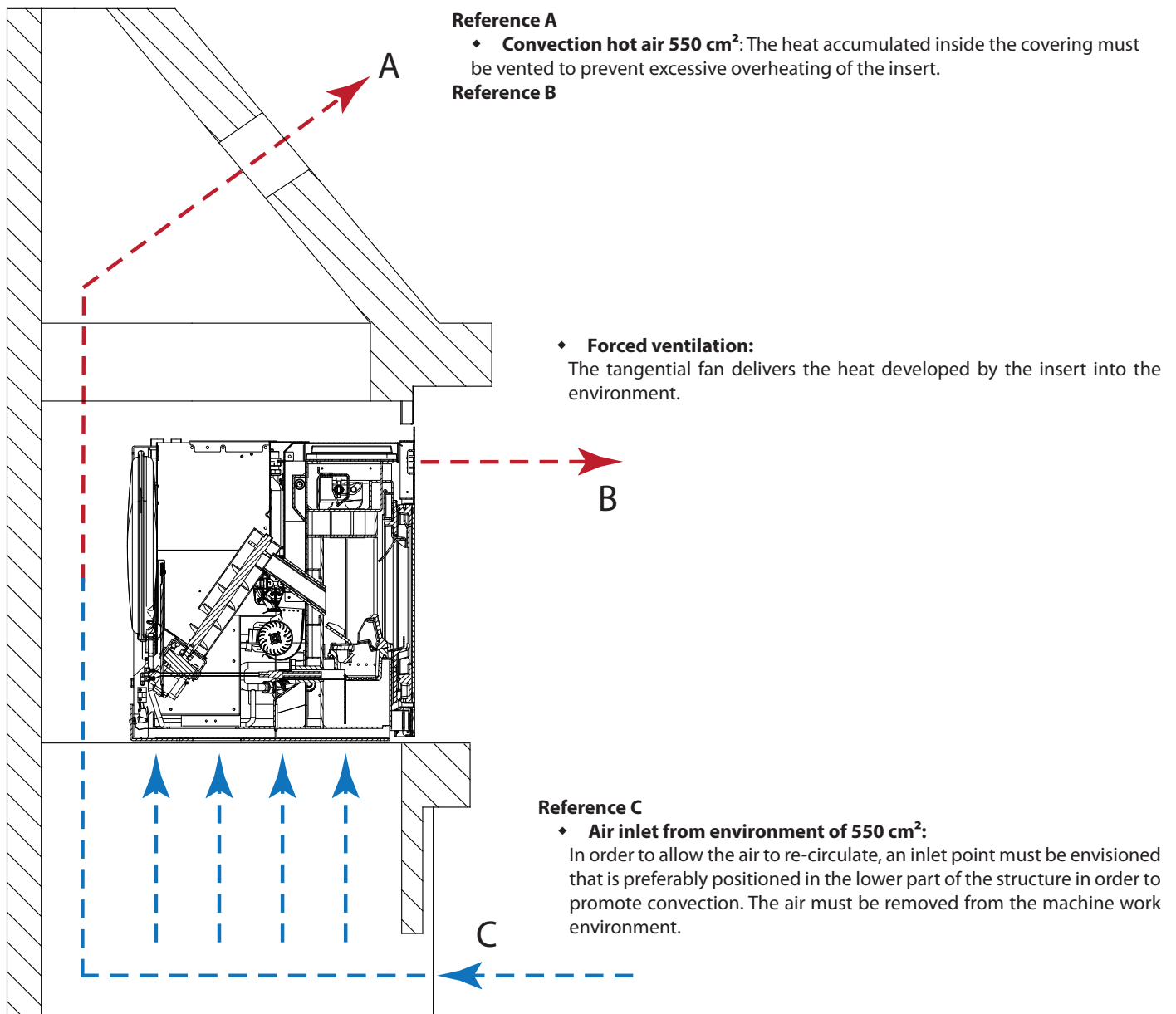
For correct operation, air must be allowed to recirculate inside the structure that covers the insert in order to prevent the appliance from overheating.

To guarantee this, just realise one or more openings in the lower and upper part of the covering.

The following measurements must be respected:

Lower part (cold air inlet) with total minimum surface 550 cm^2 .

Upper part (hot air outlet) with total minimum surface 550 cm^2 .

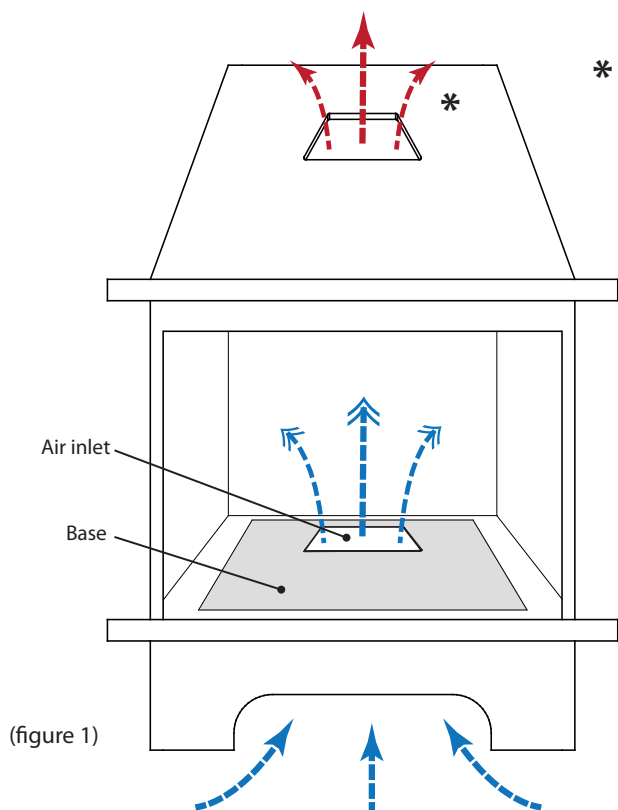


IMPORTANT: ALL OPENINGS MADE FOR PROPER AIR RECIRCULATION MUST BE MADE INACCESSIBLE BY MEANS OF APPROPRIATE PROTECTIVE GRILLES OR MESHES, ENSURING THE MINIMUM PASSAGE OF AIR REQUIRED.

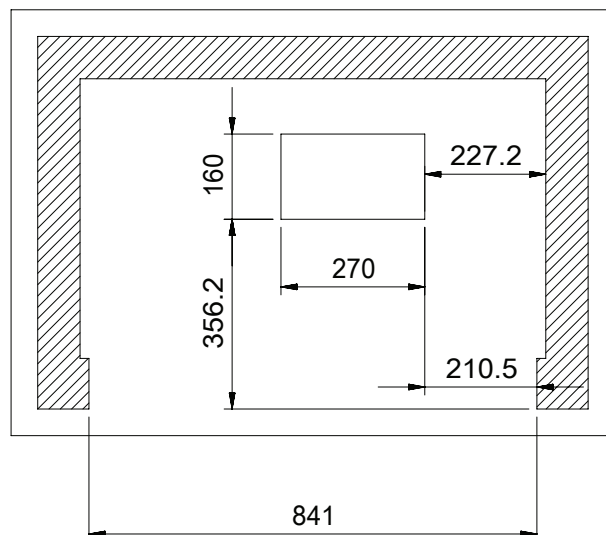


THE PIPE FOR FUMES OUTLET MUST ALWAYS MAINTAIN A MINIMUM DISTANCE OF 50 MM FROM INFLAMMABLE PARTS.

A hole must be made on the chimney support base (figure 1) for the recirculation of air and to guarantee the combustion air necessary for correct combustion of the insert.



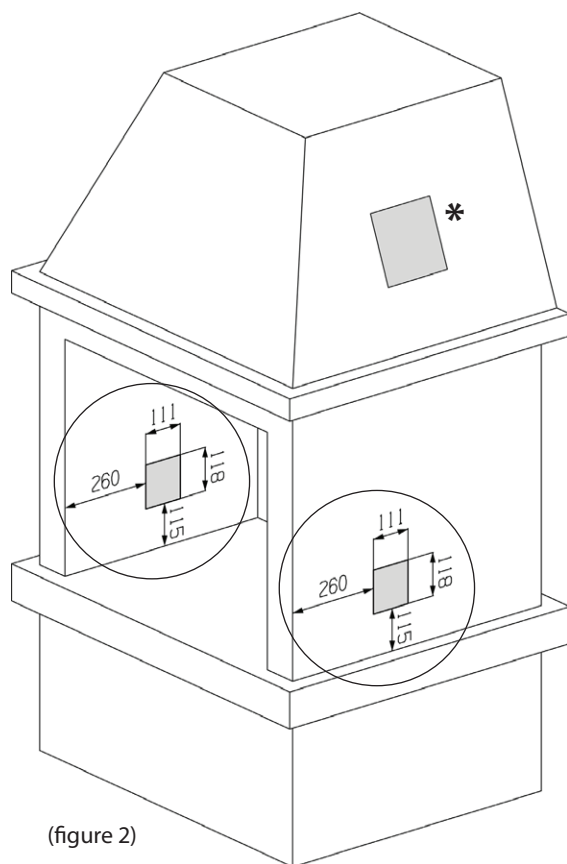
* See "Air re-circulation pipes" chapter



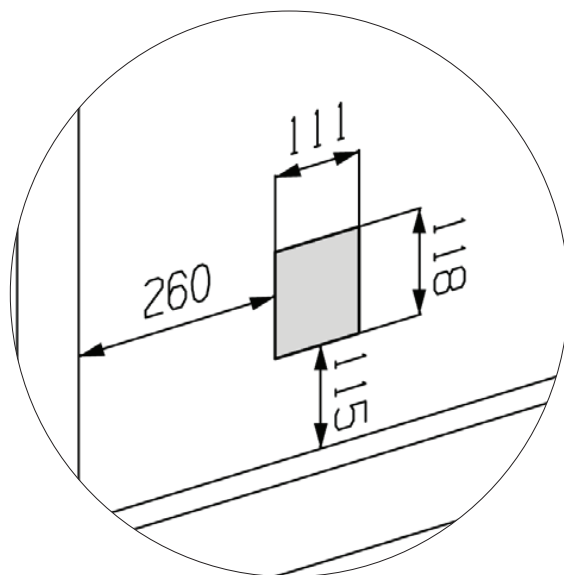
(figure 1)

If it is not possible to make a hole on the chimney support (figure 1), it is mandatory to realise two lateral holes (figure 2) on the structure to guarantee the combustion air necessary for correct combustion of the insert.

The position and measures indicated must be respected.



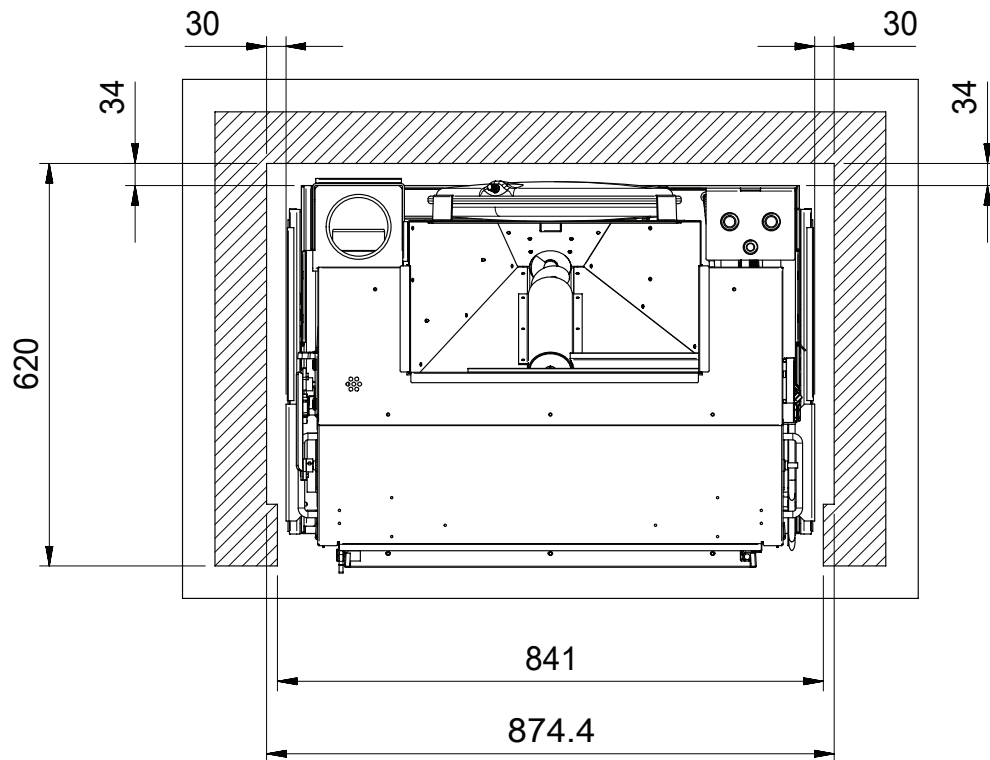
* See "Air re-circulation pipes" chapter



(figure 2)

For correct operation of the insert, during construction of the chimney it is necessary to respect the measurements indicated in the "MINIMUM CLEARANCE" chapter, which must be realised with non inflammable material.

From the stove clearance measurements stated in the technical features, at least 34 mm of air must be considered in the rear part of the insert. (see figure 3)



(figure 3)

To safeguard from any overheating, the Comfort idro L80 is supplied with a probe that analyses the temperature inside the structure and intervenes by reducing the functioning power.



THIS VENTILATION SYSTEM IS TOTALLY INDEPENDENT FROM THE AIR INLET FOR COMBUSTION!!

ASSEMBLY WITH PEDESTAL (OPTIONAL)

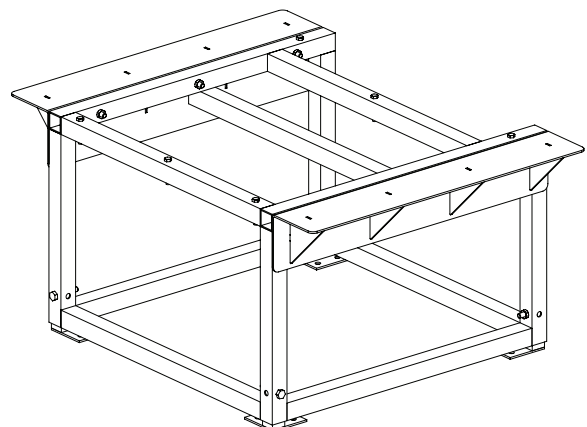
Position the base in the desired point and using the feet, adjust the height required (the bolts are positioned in the lower part of the four external sides of the pedestal).

Envision a socket on the rear of the pedestal in a way that the plug is accessible once installation has been performed.

Fix the pedestal to the floor using the strong steel plug with diameter of 8 mm.

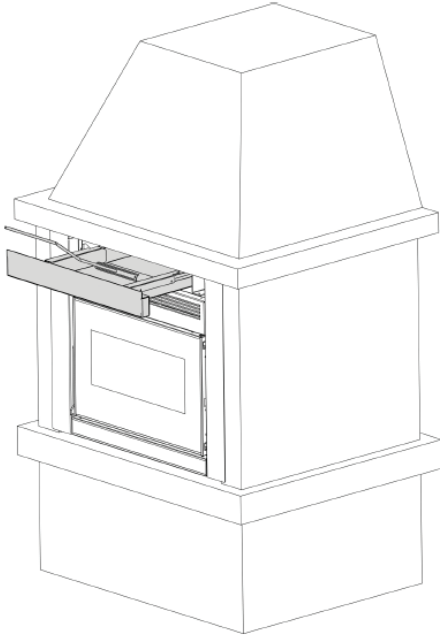
Take the sliding base and fix it to the pedestal.

Successively follow the same assembly indications as described and illustrated in the "Assembly with sliding base" chapter on the previous page.



FRONT PELLET LOADING KIT (OPTIONAL)

The optional pellet loading kit allows to load the pellets into the tank from the front without having to remove the insert (which requires switching off the machine).



Further information on accessories is available on the website under the category "accessories".



DO NOT LOAD A GREATER AMOUNT OF PELLETS THAN THE CAPACITY OF THE TANK AND DO NOT DROP PELLETS INSIDE THE PRODUCT.

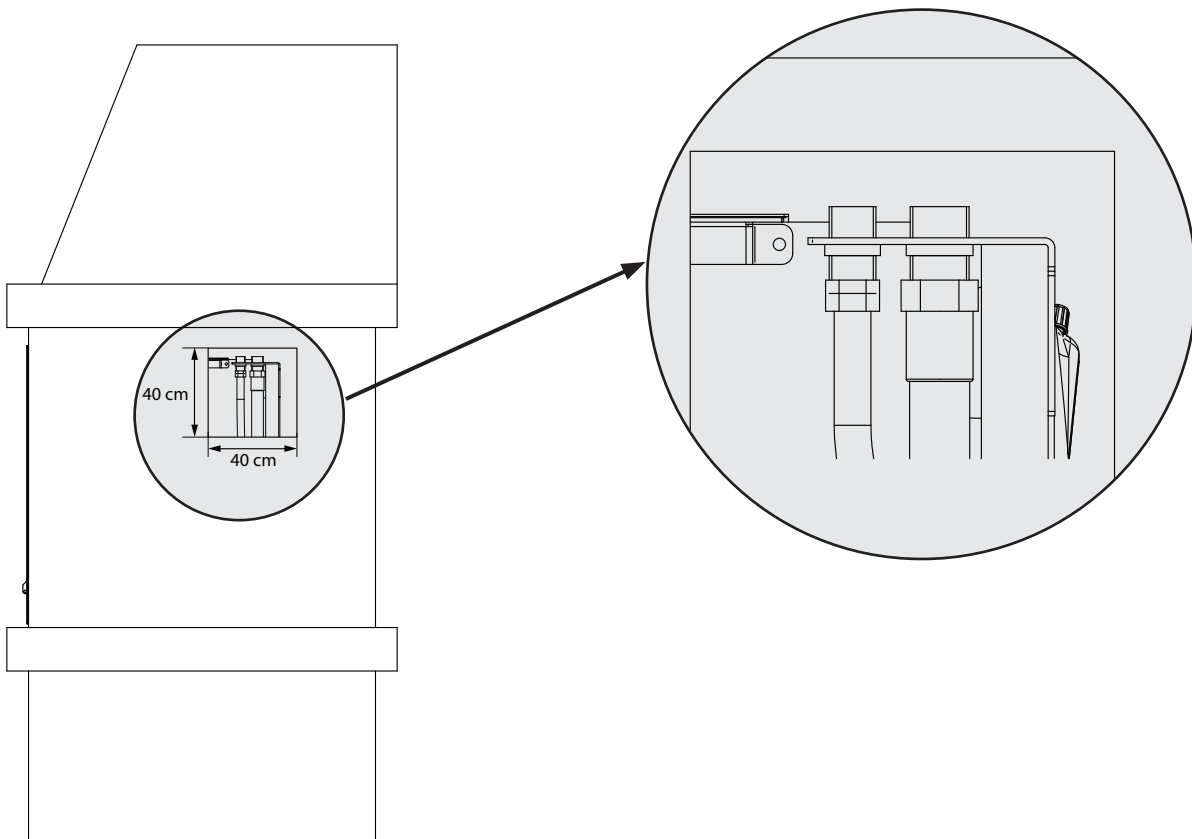


IN CASE OF INSTALLATION WITH LOADING KIT (OPTIONAL) THE MACHINE MUST NOT BE REMOVED.

COVERING ALREADY EXISTENT

If the insert is introduced inside an existing covering, proceed as described below.

- ♦ If necessary, create a lateral opening in the covering in a way to be able to access the flexible pipes at the height of the collar clamps.
- ♦ Make the air vents described in the "Air recirculation pipes" chapter.



PELLETS AND LOADING

Pellets are made by subjecting wood shavings i.e. the rejects of pure unpainted wood from sawmills, carpentry products and products from other activities connected to wood working and transformation, to very high pressures.

This type of fuel is fully ecological as no glues are used for its compaction. In fact, pellet compactness is guaranteed over time by a natural substance found in wood: lignin.

In addition to being an ecological fuel, making best use of wood residue, pellets also have a series of technical advantages.

While wood has a calorific value of 4.4 kWh/kg (with 15% moisture, therefore after approximately 18 months of curing), that of pellets is 5 kWh/kg.

Pellet density is about 650 kg/m³ and water content is equal to 8% of its weight. For this reason pellets do not need to be cured to obtain a sufficient heat yield.

The pellets used must be class **A1** certified according to standard **ISO 17225-2 (ENplus-A1, DIN Plus or NF 444** of the following category: "High quality NF biocombustible wood pellets").

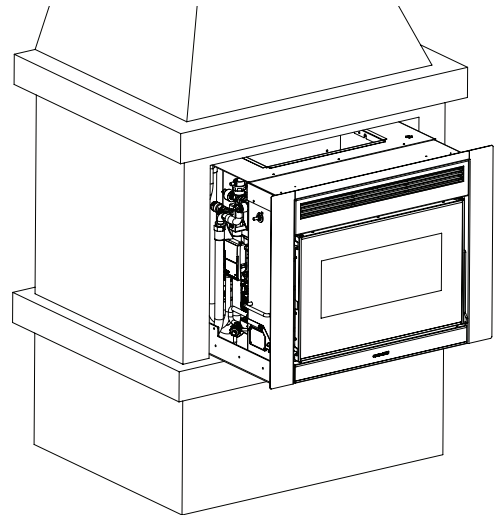
UNI EN 303-5 with the following characteristics: water content ≤ 12%, ash content ≤ 0.5% and lower calorific value >17 MJ/kg (in the case of boilers).

The Manufacturer recommends using pellets with a diameter of 6mm with its products.

PELLET STORAGE

To guarantee combustion without problems, the pellets must be kept in a dry place.

Open the tank lid and load the pellets using a scoop.




THE USE OF EXPIRED PELLETS OR ANY OTHER MATERIAL WILL AFFECT THE FUNCTIONALITY OF YOUR GENERATOR AND MAY LEAD TO THE TERMINATION OF THE WARRANTY AND CESSATION OF ANY ACCOMPANYING RESPONSIBILITY ON THE PART OF THE MANUFACTURER

CHECKS AND PRECAUTIONS FOR FIRST IGNITION

IMPORTANT!

IN ORDER FOR THE GENERATOR TO WORK PROPERLY, THE HYDRAULIC SYSTEM'S PRESSURE MUST BE BETWEEN 0.6 AND 2.5 BAR.

If the pressure detected by the digital pressure switch is below 0.6 or above 2.5 bar, it triggers a boiler alarm.

Bringing the water pressure within the standard values, it is possible to reset the alarm by pressing the button  for 3 seconds (The alarm can be reset only if the fumes motor has stopped and 15 minutes have elapsed from the display of the alarm)

THE PELLET LOADING MOTOR DOES NOT WORK:

Due to the filling of the system, it is normal that there is air inside the circuit.

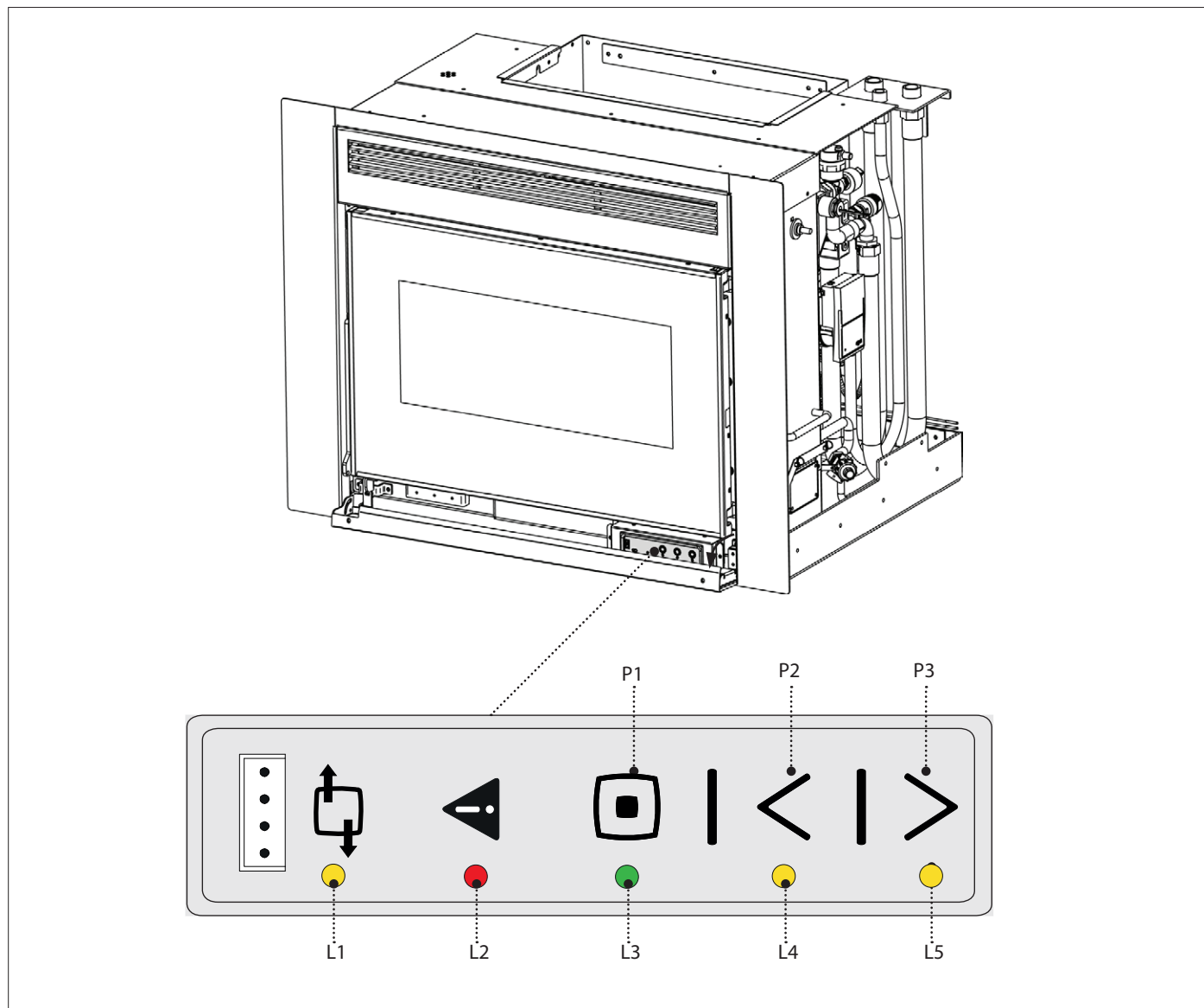
During the 1st ignition cycle, water movement causes the displacement of air bubbles and their out-flow from the automatic vents out of the system. This can cause the pressure to drop and activate the minimum pressure switch, which stops the motor that transports the pellets and, therefore, the heat generator.

Vent out the system, if necessary even multiple times, to remove the air, and reload it if the pressure is too low.


It is not a malfunction, but a normal occurrence due to its filling. After filling, the plumber must always thoroughly vent the system, using the special vents in the circuit and running the "air breather" function on the machine. (After the first ignition and with a cold machine, re-activate the function "air breather" - see chapter "OTHER FUNCTIONS")

RADIO/EMERGENCY CARD

The stove is fitted with an emergency radio card located under the rocker, which allows the basic operation of the stove in the event the LCD handheld remote is damaged or malfunctions.







The functions that can be managed from the emergency card are:

P1:	P1: On/off stove.		-
P2:	P2: 5th power level setting.	L1: Yellow led	LED off: radio communication not available. LED on: radio communication available.
P3:	P3: 1st power level setting.	L2: Red led	LED off: normal operation. LED on: alarm present.
		L3: Green led	LED off: stove off. LED on: stove on. Flashing led: stove in cleaning phase.
		L4: Yellow led	LED on: stove operates at 5th power level.
		L5: Yellow led	LED on: stove operates at 1st power level.

HANDHELD

CONFIGURATION

RADIO CONTROL DEVICE CODING PROCEDURE:

1. Disconnect the power supply to the stove.
2. Press the keys  and **OK** at the same time until the screen to choose **RADIO ID** appears.
3. Using the buttons  and  select the new **RADIO ID** (*it is possible to select a RADIO ID between 0 and 63*).
4. Power the stove. Within 10 seconds (the LED on the emergency module will flash) confirm the selected unit by pressing **OK** on the radio control device.
5. The LED on the emergency module will remain on for 5 seconds to confirm the new configuration.
6. If the configuration was not successful, "" will appear on the display. In this case, repeat the procedure.



THE REMOTE CONTROL IS ALREADY CONFIGURED WITH "RADIO ID". IF THERE IS ANOTHER STOVE, TO AVOID INTERFERENCES, A NEW CONFIGURATION MUST BE PERFORMED, MODIFYING ONE OF THE TWO STOVES.

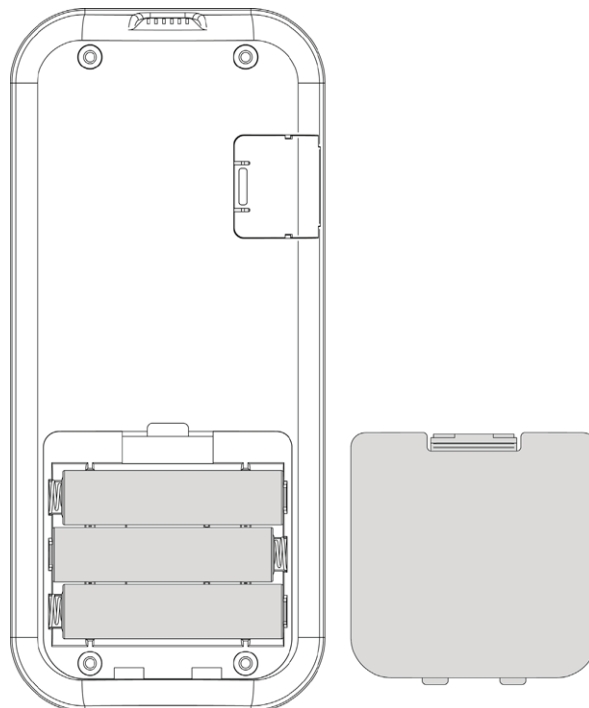


SOME RADIO FREQUENCY DEVICES (E.G. MOBILE PHONES, ETC...) MAY CAUSE INTERFERENCE WITH COMMUNICATION BETWEEN THE HANDHELD AND THE STOVE.

BATTERY TYPE AND REPLACEMENT

To insert/replace the batteries, suffice it to remove the battery protection cover at the back of the handheld (figure 1). Insert the batteries in accordance with the symbols imprinted on the handheld and on the battery itself.

Three AAA batteries are required for the handheld to function.



(figure 1)



Respect the environment!

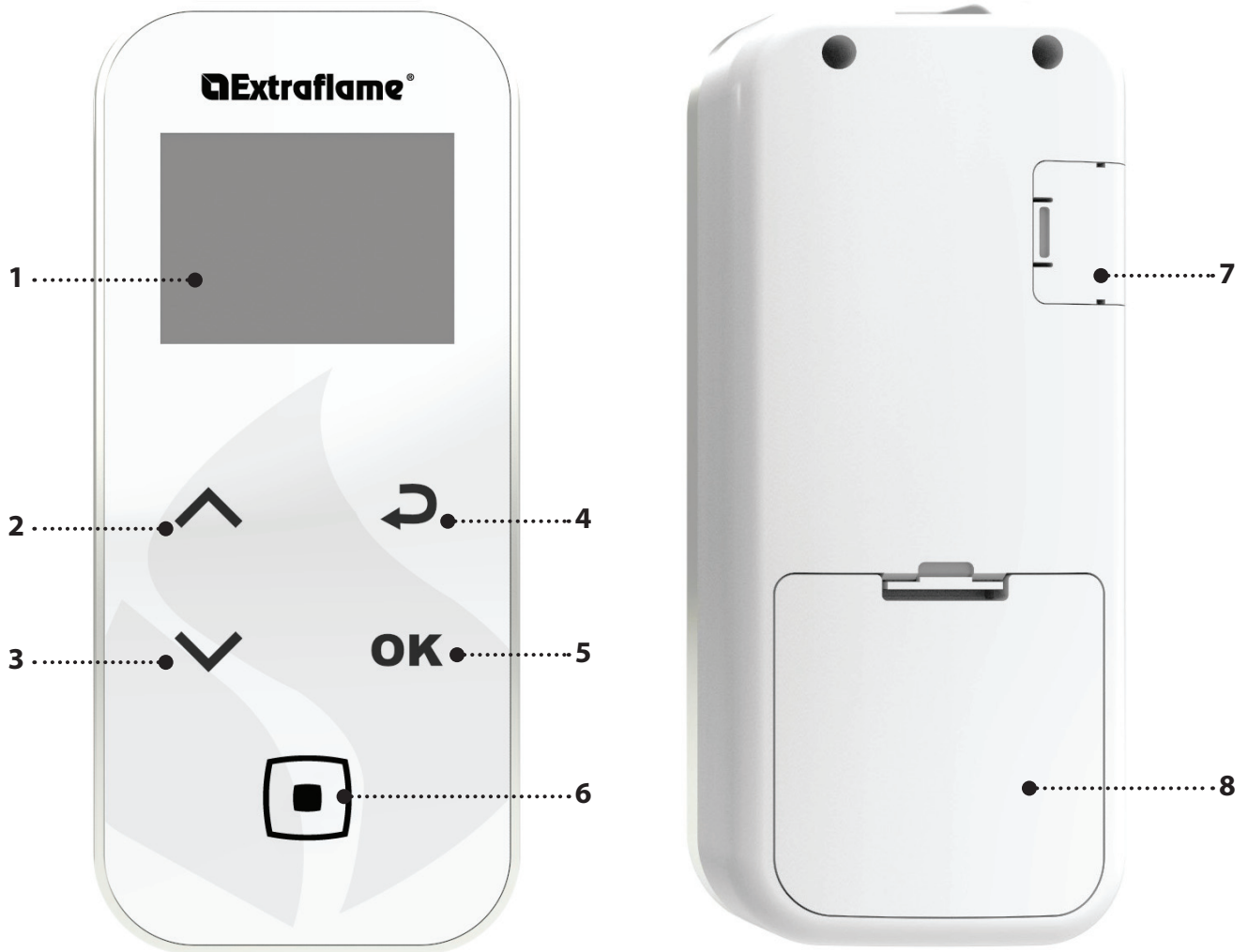
Used batteries contain metals that are harmful to the environment, and therefore must be disposed of separately in special containers.

HANDHELD FEATURES

The handheld is fitted with an LCD backlit display. The display remains lit for 5 seconds. After a certain period of time, in order to minimise battery consumption, the display turns off (sleep mode). It turns on again after pressing the ON/OFF key (6).

WARNING!

♦ Do not place the handheld in direct or indirect contact with water. The handheld may not work properly in the presence of humidity or if exposed to water.

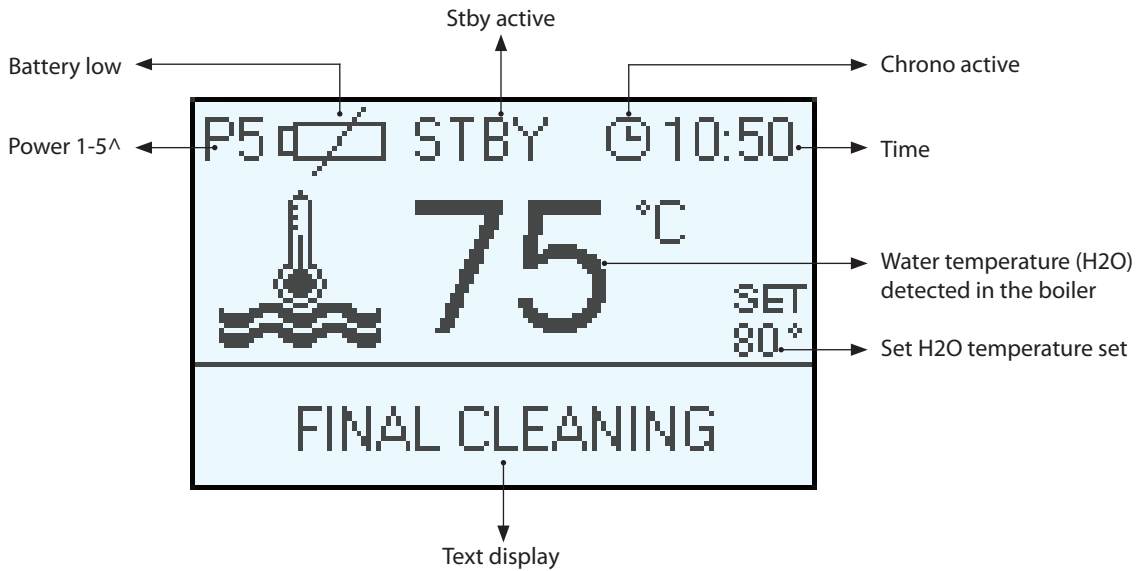


1.	Display
2.	Set power / scroll across in menus / increase - select a setting
3.	Set H2O / scroll across in menus / reduce - deselect a setting
4.	Back key
5.	Key to access MENU and CONFIRM
6.	On/off stove or restore from sleep mode.
7.	-
8.	Battery compartment

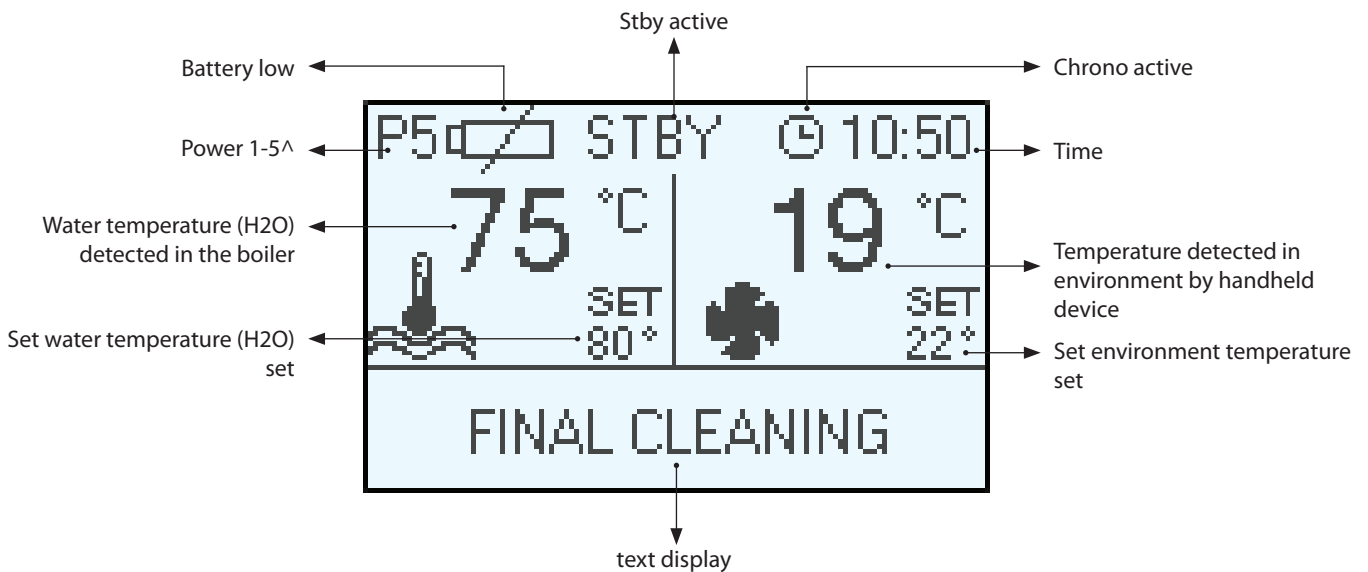
FREQUENCY BANDS	MAXIMUM POWER TRANSMITTED
868,3 MHz	4 mW ERP
869,85 MHz	4 mW ERP

DISPLAY



SCREEN WITH VENTILATION NOT ENABLED




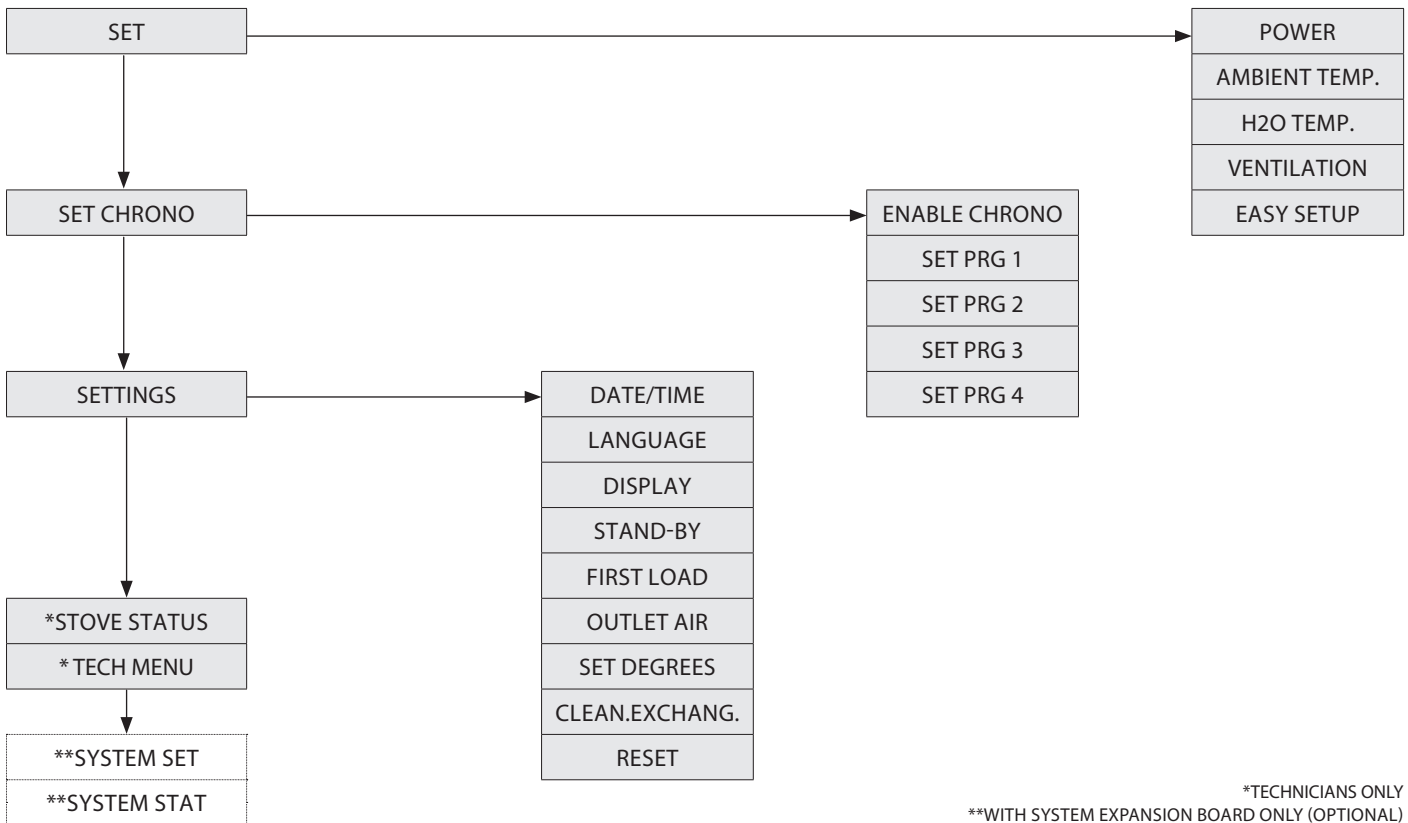
SCREEN WITH VENTILATION ENABLED



GENERAL MENU

KEY	FUNCTION
	Scroll parameters Modify settings
	On - off key

KEY	FUNCTION
	Back - exit key
OK	Access menu key



*TECHNICIANS ONLY
**WITH SYSTEM EXPANSION BOARD ONLY (OPTIONAL)

The company has an optional additional board that allows the appliance the following further functions when managing the system. Successively, the various possibilities that the accessory can offer.

✓ DHW Storage Management	✓ Buffer pump or 4th heating area management
✓ Buffer management	✓ Anti-legionella management for DHW storage
✓ 3 heating areas	✓ DHW storage chrono management
✓ Instant DHW option	✓ Auxiliary output management and control

GENERAL WARNINGS

Advice to follow for the first start-ups of the product:

During the first hours of operation, there may be some smoke or odours, but they are due to the normal "thermal break-in" process. During this process, the duration of which changes depending on the product, it is recommended to:

- ◆ Ventilate the room well
- ◆ If present, remove any majolica or natural stone parts from the top of the product
- ◆ Activate the product at the maximum power and temperature
- ◆ Avoid remaining in the room for a long time
- ◆ Do not touch the surfaces of the product

Notes:

The process is completed after a few heating/cooling cycles. Do not use for the combustion of elements or substances other than those indicated in the manual.

Before turning on the product, it is necessary to perform the following checks:

- ◆ If it is intended to be connected to a hydraulic system, it must be complete and fully functional and in compliance with the instructions given in the product manual and with the relevant regulations in force.
- ◆ The pellet hopper must be completely loaded
- ◆ The combustion chamber and the burn pot must be clean
- ◆ Make sure that the fire holder, the ash pan and the pellet hopper close hermetically (if present in the hermetic version); they must be closed and there must be no foreign bodies in the sealing elements and gaskets.
- ◆ Check that the power cord is properly connected
- ◆ The switch (if present) must be set to position "1".

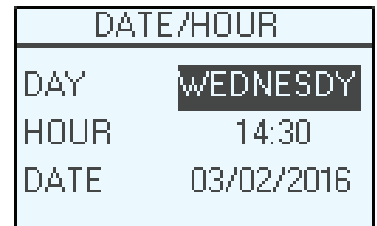
COMMISSIONING SETTINGS

Once the supply cable has been connected to the back of the generator, and after the insert has been locked with the latch, proceed with the configuration.

DATE AND TIME

This menu allows the date and time to be set.

To set: OK > *SETTINGS* > *DATE / TIME*.



LANGUAGE

This menu allows the preferred language to be selected.

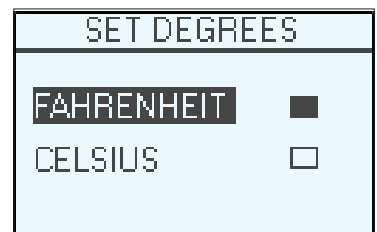
To set: OK > *SETTINGS* > *LANGUAGE*.



SET DEGREES

This menu allows to set the desired unit of measurement.

To set: OK > *SETTINGS* > *SET DEGREES*



**DO NOT USE ANY TYPE OF FLAMMABLE LIQUIDS FOR IGNITION!
DO NOT ALLOW THE BAG OF PELLETS TO COME INTO CONTACT WITH THE BOILING HOT STOVE DURING THE FILLING PHASE!
IN THE EVENT OF CONTINUED FAILURE TO LIGHT, CONTACT AN AUTHORISED TECHNICIAN.**



NO IGNITION

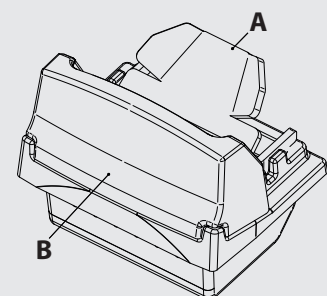
**THE APPLIANCE MAY FAIL TO LIGHT BECAUSE THE AUGER IS EMPTY AND NOT ALWAYS ABLE TO LOAD THE BURN POT WITH THE NECESSARY QUANTITY OF PELLETS IN TIME TO REGULARLY IGNITE THE FLAME.
IF THE PROBLEM OCCURS AFTER ONLY A FEW MONTHS OF OPERATION, CHECK THAT THE ROUTINE CLEANING DESCRIBED IN THE STOVE BOOKLET HAS BEEN CARRIED OUT CORRECTLY.**



**IT IS FORBIDDEN TO USE THE DEVICE WITHOUT THE PELLET CHUTE/ SEPARATOR (A) AND FLAME GUARD (B).
THEIR REMOVAL WILL COMPROMISE THE SAFETY OF THE PRODUCT AND IMMEDIATELY VOID THE WARRANTY.**


IN THE EVENT OF WEAR OR DETERIORATION, REQUEST THE REPLACEMENT OF THE PART FROM THE AFTER-SALES SERVICE.

(REPLACEMENT NOT COVERED BY THE WARRANTY OF THE PRODUCT OR BECAUSE COMPONENT SUBJECT TO WEAR).



OPERATION AND LOGIC

ON

Once the previously listed points have been checked, press key  for three seconds to ignite the stove. 15 minutes are available for the ignition phase. After ignition and after reaching the control temperature, the stove interrupts the ignition phase and switches to PREPARATION.




PREPARATION

During the preparation phase, the stove stabilises combustion, increasing it progressively, to then start ventilation and switch to WORK.

OPERATION




During the work phase, the stove reaches the set power set; see following item.

REGULATION OF SET POWER

The set power has 5 operating levels, When the  key is pressed, the set power is displayed; it can be changed using the  or  keys. Power 1 = minimum level - Power 5 = maximum level.

The change must be confirmed by pressing the key **OK**.

ADJUSTMENT OF SET H2O TEMPERATURE

Set the boiler temperature from 65 - 80°C (set using keys 4 - 5). Pressing the  key allows the temperature set to be displayed; this can be modified using the  or  keys.

The change must be confirmed by pressing the key **OK**.

PUMP OPERATION

The pump activates water circulation when the t° of the water inside the stove reaches approx. 60°C. As the pump always functions above 60°C, an always open heating area is recommended to make product functioning homogenous, preventing overheating blocks. Normally this area is defined "Safety zone".

ROOM TEMPERATURE (in the models envisioned)

IT IS possible to activate/deactivate the front ventilation and control the room temperature via the Room probe (integrated in the handheld device). (See "VENTILATION" chapter in the following pages.)

MODULATION and H-OFF

As the water temperature approaches the set point, the boiler starts to modulate automatically bringing itself to the minimum power. If the temperature increases beyond the set point, it will automatically switch off indicating **H-OFF** and will automatically go back on when the temperature drops below the set point.

OFF

Press the  key for three seconds.

Once this operation has been performed, the appliance automatically enters the switch-off phase, blocking the supply of pellets.

The flue gas exhaust motor and the hot air flow motor will remain on until the stove temperature has dropped below the default parameters.

RE-IGNITION

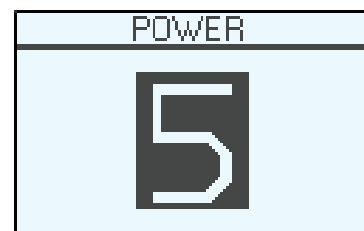
The stove can only be re-ignited automatically or manually when the cooling cycle conditions and the preset timer have been satisfied.

SET

POWER

The menu allows the generator power to be set Minimum power 1, maximum power 5.

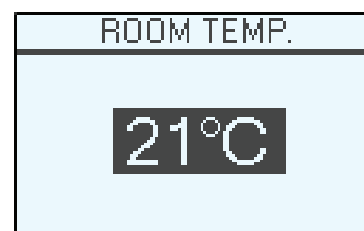
To set: *OK > SET > POWER.*



ROOM TEMPERATURE

The menu allows to set the room temperature to reach. (front ventilation must be active). Range: OFF - 07 - 40°C.

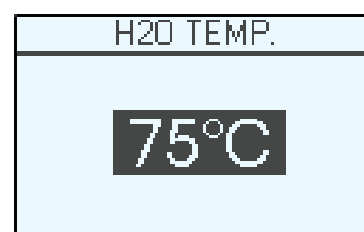
To set: *OK > SET > ROOM TEMP..*



H2O TEMPERATURE

The menu allows the boiler temperature to be set Range: 65 - 80°C.

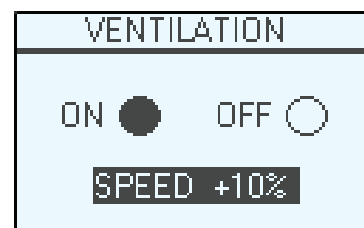
To set: *OK > SET > TEMP.. H2O.*



VENTILATION

This menu allows to enable or disable the operation of the motor and to adjust the fan speed.

To set: *OK > SET > VENTILATION.*



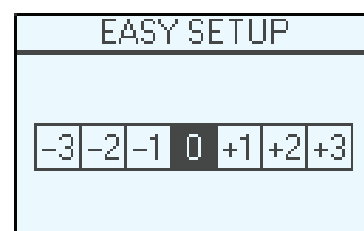
EASY SETUP

The volumetric weight of the pellet is the ratio between the weight and the volume of the pellet. This ratio may change while keeping the quality of the pellet unchanged. By using the EASY SETUP function, it is possible to change the calibration of the volumetric weight by increasing or decreasing the pre-set values.

In the stove program, the available values go from "- 3" to "+ 3"; all stoves are calibrated during production with the optimal value which is 0

If you notice an excessive deposit on the burning pot, access the EASY SETUP program and lower the value of one unit to "- 1"; then wait until the next day and if there is no improvement, decrease again, to a maximum of "- 3". Instead, if it is required to increase the calibration of the volumetric weight of the pellet, go from the factory value "0" to "+ 1, + 2, + 3" as required.

To set: *OK > SET > EASY SETUP.*



EXCESSIVE DEPOSIT OF PELLET IN THE BURNING POT			NORMAL OPERATION	LITTLE DEPOSIT OF PELLET IN THE BURNING POT		
-3	-2	-1	0	+1	+2	+3
THIRD DECREASE RANGE IF THE FIRST TWO ARE NOT ENOUGH	SECOND DECREASE RANGE IF THE FIRST IS NOT ENOUGH	FIRST DECREASE RANGE (TEST FOR 1 DAY)	OPTIMAL FACTORY VALUE	FIRST INCREASE RANGE	SECOND INCREASE RANGE IF THE FIRST IS NOT ENOUGH	THIRD INCREASE RANGE IF THE FIRST TWO ARE NOT ENOUGH

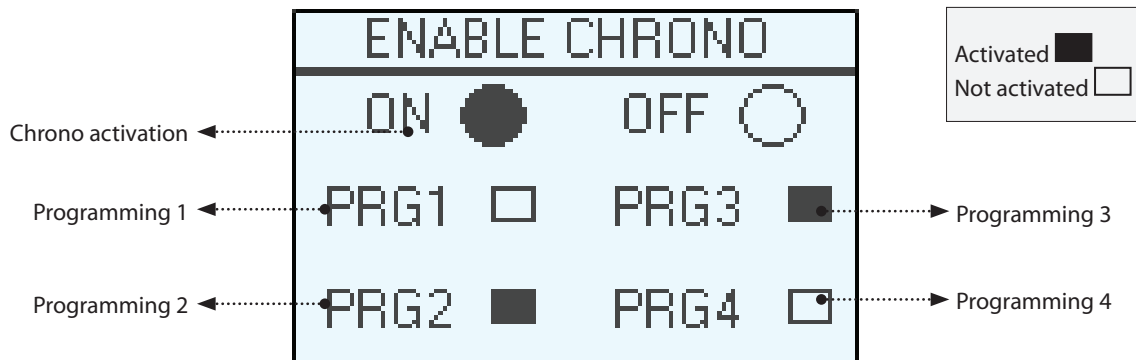
N.B.: If these settings do not solve the deposits of pellets present in the burning pot, please contact the service centre of your area.

SET CHRONO

This function allows the generator's ignition and switch-off to be automatically programmed. By factory default, the SET CHRONO is disabled. The chrono allows the programming of 4 time slots within a day, which can be used every day of the week. Ignition and switch-off times can be set for each time slot, along with the specific days of application for the programmed time slot and the desired temperature. Current day and time settings are essential for the correct operation of the Chrono.

ENABLE CHRONO

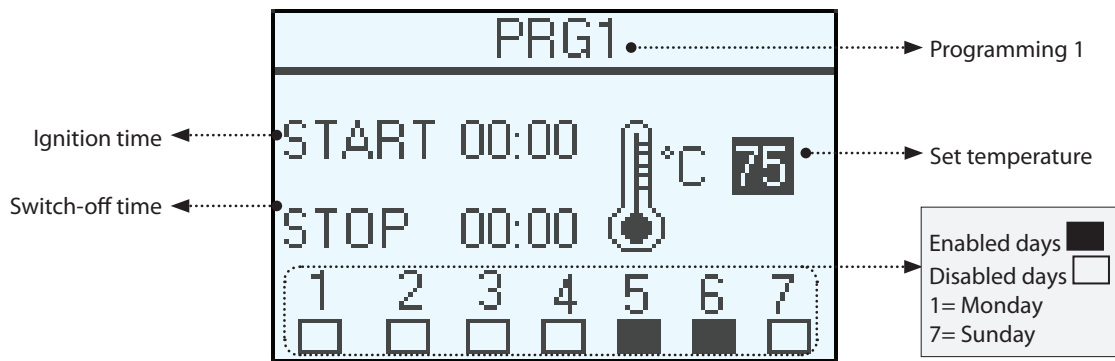
Allows the chrono and the different stove time slots to be enabled/disabled.



PRG 1-4

The switch-on and switch-off time along with the days of use of the programmed time slot and the desired water temperature (65 - 80°C) can be set. Current day and time settings are essential for the correct operation of the Chrono.

To set: *OK > SET CHRONO > SET PRG1-4.*



RECOMMENDATIONS	EXAMPLE
The ignition and switch-off times must be within the space of one day, from 0 to 24 and not over several days. Before using the chrono function, set the current day and time. Then check that the points listed in the "DATE/TIME" sub-chapter have been followed, so that the chrono function works. Aside from programming it, activate it as well.	Ignition time 07:00 Switch-off time 18:00 CORRECT
	Ignition time 22:00 Switch-off time 05:00 INCORRECT



WHEN THE WEEKLY PROGRAMMER IS ACTIVE, THE RELATIVE ICON WILL BE SHOWN ON THE HANDHELD DISPLAY.






SETTINGS

- ◆ DATE/TIME
- ◆ LANGUAGE
- ◆ SET DEGREES

SEE CHAPTER: COMMISSIONING SETTINGS.

DISPLAY

The "DISPLAY" menu allows:




-  ◆ Adjustment of Display contrast.
-  ◆ Activation/Deactivation of backlight.
-  ◆ Enabling/disabling of acoustic signal.

STAND-BY ◆ Setting of the timer to turn off the Display backlight.

RESET ◆ Setting of the timer to turn off the Display (sleep mode).

To set: OK > SETTINGS > DISPLAY.



SETTING THE SHORT TIME PROMOTES BATTERY LIFE

DISPLAY	
	25
	ON
	ON
STAND-BY	4sec
RESET	20sec

STAND-BY

The Stby function is used in the event the stove needs to turnoff immediately or modulation via additional thermostat. STBY will be seen on the display, which indicates the function is active.

To set: OK > SETTINGS > STAND-BY.

STAND-BY	
ON	
OFF	




THIS FUNCTION IS NOT RECOMMENDED FOR ENVIRONMENTS WITH SCARCE THERMAL INSULATION OR WHERE THERE MAY BE SHARP FLUCTUATIONS IN TEMPERATURE: DOORS OR WINDOWS CONSTANTLY OPENED.

FIRST LOAD

This function allows to fill the auger, facilitating the phases of the first start-up of the stove, or in the event that the pellet tank is empty.

With the stove cold and "OFF", make sure the pellet has been introduced inside the tank and activate the *FIRST LOAD* function, confirming with OK.

To interrupt the loading in continuous, simply press the key  for 3 seconds.

To set: OK > SETTINGS > FIRST LOAD.

FIRST LOAD	
ON	
BACK	



REMEMBER ALWAYS TO COMPLETELY EMPTY THE BURN POT BEFORE IGNITION AND THAT THE HOLES IN THE BURN POT ARE ALL FREE. NEVER EMPTY THE BURN POT INSIDE THE PELLET HOPPER, FIRE RISK!

OUTLET AIR

This function allows any air in the stove to be discharged. By activating the pump function, it will be powered alternatively with 30 second work phases and 30" stop for 15 minutes. With the stove cold and in "OFF", activate the *OUTLET AIR* function, confirming with OK. To interrupt, remove the power supply.

To set: OK > SETTINGS > OUTLET AIR.

ATTENTION: BEFORE ACTIVATING THE "OUTLET AIR" FUNCTION, MAKE SURE YOU HAVE OPENED THE VENT SCREW OF THE MANUAL VENT VALVE.

OUTLET AIR	
ON	
BACK	

CLEANING THE EXCHANGER

This function allows to set the time range within which the automatic cleaning of the springs is active.

To set: OK > SETTINGS > EXCHANGER CLEANING

EXCHANG. CLEAN.	
START	05:00
STOP	20:00



RESET

Allows the user to reset all modifiable values to the default values.

To set: *OK > SETTINGS > RESET.*


ADDITIONAL FUNCTIONS

AUX

If conveyor accessories of the manufacturer are used, the connection must be made by a qualified technician. Contact the dealer for further details

LCD HANDHELD REMOTE ROOM PROBE CALIBRATION

This mode allows calibration of the room temperature detected by the LCD handheld remote (with ventilation active only). For correct calibration, it is recommended to position the LCD handheld remote in a room with constant temperature and wait for at least two hours. Below find the calibration procedure:

- ◆ Access the menu and reach "TECH MENU".
- ◆ Set the access key "F4": - "ADJ REMOTE PROBE"
- ◆ Using the keys  or  adjust the desired ambient calibration.
- ◆ Save and exit with the key .

ADDITIONAL THERMOSTAT

N.B. : Installation must be performed by an authorised technician

There is a possibility to thermostat a room adjacent to the room where the stove has been placed; simply connect a thermostat following the procedure described in the following section (it is advisable to place the optional mechanical thermostat at a height from the ground equal to 1.50m). Stove operation with external thermostat connected in the clamp TA can be different on the basis of activation or deactivation of the STAND-BY function.

By default, the clamp TA exits jumpered, therefore it always has closed contact (on request).

ADDITIONAL THERMOSTAT FUNCTIONING WITH STAND-BY ACTIVE

When the function is activated, STBY will be shown on the display. When the contact or external thermostat is not satisfied (open contact =temperature reached), the stove will switch off. As soon as the contact or external thermostat switches to the "not satisfied" status (closed contact / temperature to be reached) it will re-ignite.

Nota bene: stove operation depends on the temperature of the water inside the stove and relative factory setting restrictions. If stove is in H-OFF (water temperature reached), any additional contact or thermostat request will be ignored.

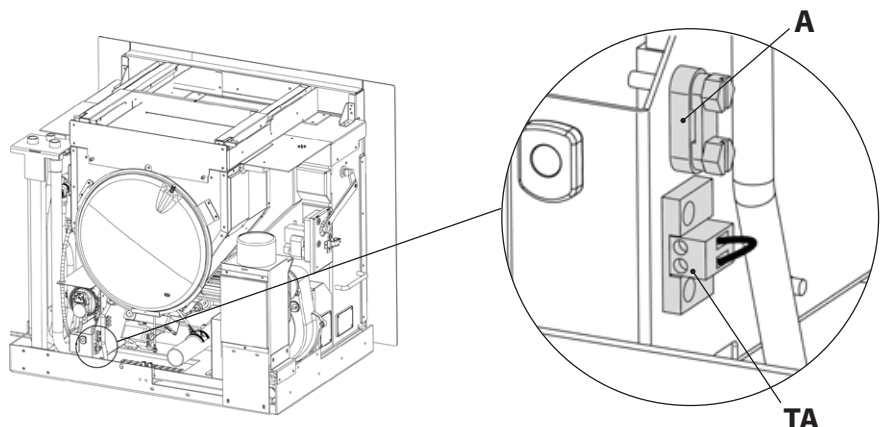
ADDITIONAL THERMOSTAT OPERATION WITH STAND-BY DEACTIVATED

When the contact or external thermostat is satisfied (open contact / temperature reached), the stove will go to minimum. As soon as the contact or external thermostat switches to the "not satisfied" status (closed contact / temperature to be reached) it will start to work again at the pre-set power.

Nota bene: stove operation depends on the temperature of the water inside the stove and relative factory setting restrictions. If stove is in H-OFF (water temperature reached), any additional contact or thermostat request will be ignored.

ADDITIONAL THERMOSTAT INSTALLATION

- ◆ A mechanical or digital thermostat with a "normally open" input is required.
- ◆ Remove the plug from the socket.
- ◆ Connect the two cables of the thermostat on the terminal (TA) (clean contact - no 230 V!) behind the machine, and secure them to the cable holder (A).
- ◆ Connect the power to the stove again.



TO FIND OUT WHERE YOUR NEAREST SERVICE CENTRE IS, CONTACT YOUR DEALER OR GO TO THE WEBSITE:
WWW.LANORDICA-EXTRAFLAME.COM

CLEANING AND MAINTENANCE

FOLLOW THE INSTRUCTIONS ALWAYS IN COMPLETE SAFETY!

- ◆ Make sure that the power supply cable plug is disconnected, since the generator could be programmed to switch-on.
- ◆ That the generator is completely cold.
- ◆ The ashes are cold.
- ◆ Ensure efficient air exchange in the room during the product cleaning operations.
- ◆ Poor cleaning will compromise correct operation and safety!

MAINTENANCE

For correct operation, the generator must undergo routine maintenance by a qualified technician, at least once a year. The periodic inspection and maintenance operations must always be performed by specialised, qualified technicians, who operate in accordance with the laws in force and the instructions given in this use and maintenance manual.



**EVERY YEAR HAVE THE FUMES EXHAUST PLANT, FUME DUCTS AND "T" FITTINGS AND INSPECTION CAPS CLEANED - BENDS AND HORIZONTAL STRETCHES IF PRESENT!
THE CLEANING FREQUENCY OF THE GENERATOR IS INDICATIVE! IT DEPENDS ON THE QUALITY OF THE PELLETS USED AND ON THE FREQUENCY OF USE.
SOMETIMES THESE OPERATIONS MUST BE PERFORMED MORE OFTEN.**

PERIODIC CLEANING BY THE USER

As indicated in this use and maintenance manual, periodic cleaning must be performed paying great attention, after having read the indications, to the procedures and times described herein.

CLEANING THE SURFACES AND COVERING

Never use abrasive or chemically aggressive detergents for cleaning!

The surfaces must be cleaned when the generator and covering are completely cold. For the maintenance of the surfaces and metal parts, simply use a cloth dampened with water or water and neutral soap.

Failure to comply with these instruction may damage the surfaces of the generator and cause the invalidation of the warranty.

CLEANING THE CERAMIC GLASS

Never use abrasive or chemically aggressive cleaning agents for cleaning!

The ceramic glass must be cleaned when the glass is completely cold.

To clean the ceramic glass, simply use a dry brush and some damp newspaper dipped in ash. If the glass is very dirty, use a specific cleaning agent for ceramic glass. Spray a small amount on a cloth and use it on the ceramic glass. Do not spray the cleaning agent or any other liquid directly on the glass or seals!

Failure to comply with these instruction may damage the surfaces of the ceramic glass and cause the invalidation of the warranty.

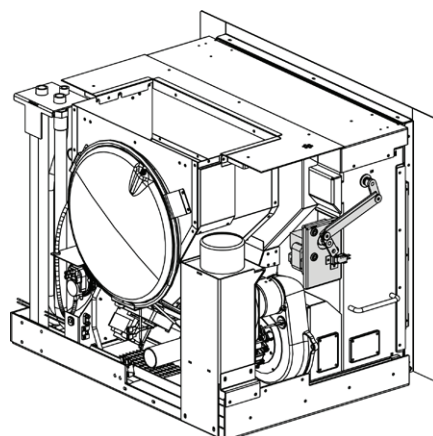
CLEANING THE PELLET TANK

When the tank is completely empty, disconnect the power cable of the generator and remove the residues first (dust, chippings, etc.) from the empty tank, and then fill it.

THE FOLLOWING IMAGES ARE FOR ILLUSTRATIVE PURPOSES.

SCRAPERS:

The heat exchangers are cleaned automatically (adjustable) via a mechanical system that allows constant heat output over time.

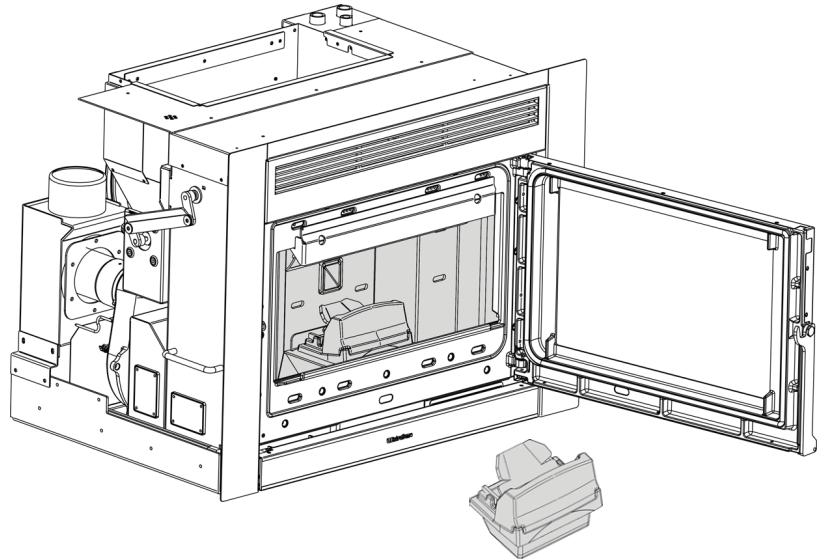


EVERY DAY

BURN POT AND COMBUSTION CHAMBER:

Suck up the residues present in the burn pot
Remove the burn pot completely from the relevant compartment;
Suck up the ash from the burn pot seat and combustion chamber.
Release all holes present in the burn pot using the poker supplied.
Re-position the burn pot in its seat and push it towards the fire wall.
Suck up the ash deposit from the ash collection trays;

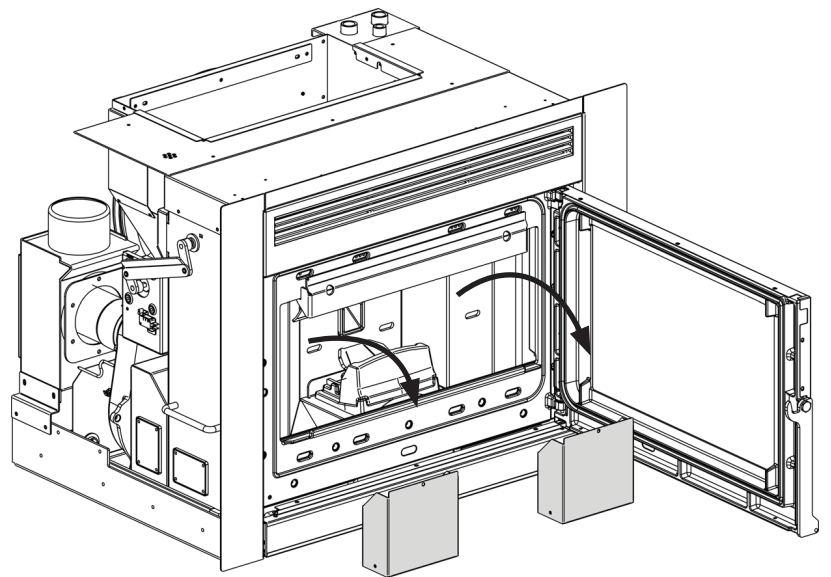
NOTE: Use a suitable ash suction device with relevant container for separation of the ash collected.



EVERY 3 DAYS

ASH DRAWER:

- ◆ Remove the two ash drawers and empty them into a dedicated container.

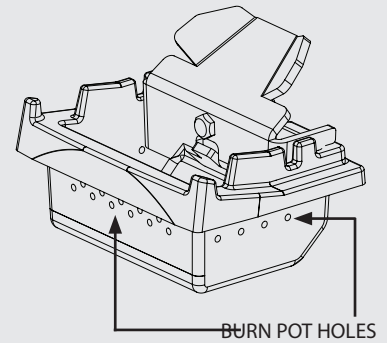


A CLEAN BURN POT GUARANTEES CORRECT OPERATION!



MAINTAINING THE BURN POT AND ITS HOLES ALWAYS WELL CLEAN FROM ANY COMBUSTION RESIDUES, EXCELLENT COMBUSTION BY THE GENERATOR IS GUARANTEED OVER TIME, PREVENTING ANY MALFUNCTIONING THAT COULD REQUIRE TECHNICIAN INTERVENTIONS.

THE "EASY SETUP" FUNCTION IN THE USER MENU CAN BE USED TO ADAPT COMBUSTION ON THE BASIS OF THE NEEDS DESCRIBED.



IF THE POWER SUPPLY CABLE IS DAMAGED, IT MUST BE REPLACED BY THE AFTER-SALES SERVICE OR BY A SIMILARLY QUALIFIED PERSON, SO AS TO AVOID ALL RISKS.

TO FIND OUT WHERE YOUR NEAREST SERVICE CENTRE IS, CONTACT YOUR DEALER OR GO TO THE WEBSITE:
WWW.LANORDICA-EXTRAFLAME.COM

ROUTINE MAINTENANCE PERFORMED BY QUALIFIED TECHNICIANS

Routine maintenance must be performed at least once a year.

Using pellets as solid fuel, the generator requires annual routine maintenance, which must be performed by a **Qualified technician, using original spare parts exclusively.**

Failure to comply can jeopardise safety of the appliance and make the warranty null and void.

Respecting the frequencies of cleaning reserved for the user described in the use and maintenance manual, the generator is guaranteed correct combustion over time, preventing any anomalies and/or malfunctioning that could require more interventions of the technician. Requests for routine maintenance are not contemplated in the product warranty.

DOOR, ASH DRAWER AND BURN POT GASKETS

The gaskets guarantee the tightness of the stove and its consequent good functioning.

They must be controlled periodically. They must be replaced immediately if they are worn or damaged.

These operations must be carried out by a qualified technician.

CONNECTION TO THE FLUE

Suck and clean the pipe that leads to the flue yearly or any time that it is necessary. If there are horizontal tracts the residues must be removed before they can obstruct fumes passage.

DECOMMISSIONING (END OF SEASON)

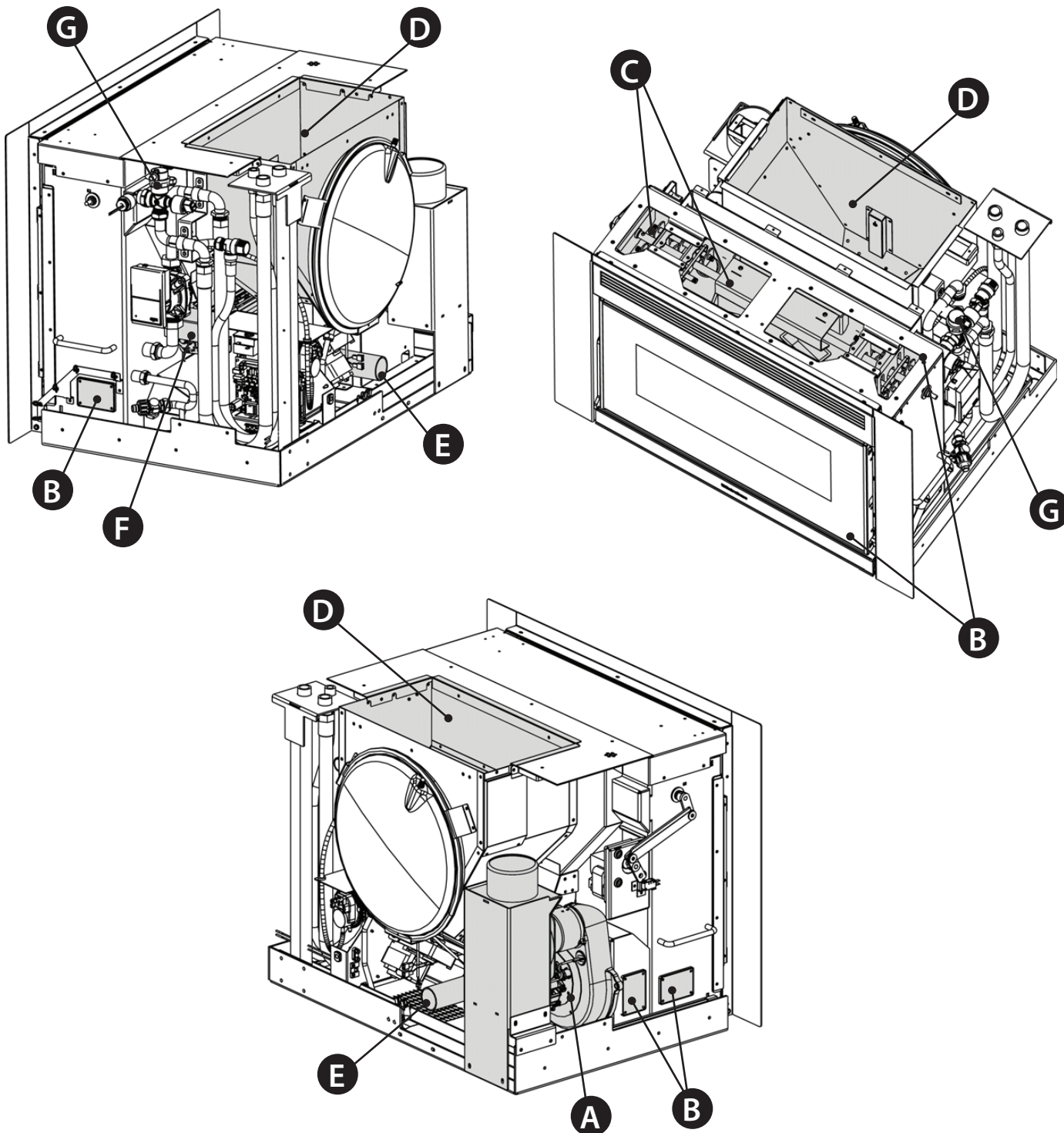
At the end of each season, before turning the stove off, it is advisable to empty the pellet hopper out completely, removing any residues of pellets and dust with a vacuum cleaner.

WE ADVISE YOU NOT TO DISCONNECT THE GENERATOR FROM THE ELECTRICAL POWER SUPPLY, SO AS TO ALLOW THE PUMP TO PERFORM THE NORMAL ANTI-LOCKING CYCLES.

We also recommend disconnecting the generator from the mains and, for added safety especially when children are present, remove the power cable. Routine maintenance must be performed at least once a year.

ROUTINE MAINTENANCE

THE IMAGES ARE ILLUSTRATIONS ONLY.





A	Fumes motor (disassembly and cleaning and fumes pipe and "T"), new silicone in the provided points
B	Gaskets, pellet hopper, inspections, ash drawer and door (replace and apply silicone where indicated)
C	Combustion chamber and heat exchanger (full cleaning) including ignition plug pipe
D	Hopper (complete emptying and cleaning).
E	Check air intake pipe and cleaning of the flow sensor
F	Remove the ambient air fan and remove any dust and pellet residue.
G	Manual purge valve

DISPLAYS

DISPLAY	REASON
OFF	Generator off
START	The start-up phase is in progress
PELLET FEEDING	Continuous pellet feeding is in progress during the ignition phase
IGNITION	The ignition phase is in progress
PREPARATION	The preparation phase is in progress
WORK	The normal work phase is in progress
MODULATION	The generator is working at minimum
FINAL CLEANING	The final cleaning is in progress
STAND-BY	Generator off waiting for re-ignition due to an external thermostat
WAITING COOLING WAIT	A new ignition is attempted when the generator has just been switched off. When the generator switches off, one must wait for the complete shutdown of the fumes motor, then clean the burn pot. The generator can only be re-ignited when these operations have been performed.
HOFF	Generator off due to water temperature over set
*T-AMB	Display the ambient temperature (in models with this function)
*T - OFF	Generator off waiting for re-ignition due to all requests met
WAITING BLACK OUT	The generator is cooling after a power cut. Once cooling is completed it will re-start automatically
ANTI-FREEZING	The anti-freeze function is in progress as the H2O t is below the factory set threshold the pump is active until the water reaches the pre-set factory parameter +2°C
ANTI-BLOCK	The pump antilock function is in progress (only if the generator has been in an OFF state for at least 96 hours); the pump is activated for the time pre-set by the manufacturer, in order to prevent it from blocking
BLOW	The automatic blow is active
HE CLEAN BLOCK	The automatic cleaning of the springs has stopped abnormally: motor blocked/damaged

ALARMS

DISPLAY	EXPLANATION	SOLUTION
	Indicates the presence of an alarm.	On: indicates the presence of an alarm. Flashing: indicates the deactivation of the depression sensor The alarm can be reset only if the fumes motor has stopped and 15 minutes have passed since the alarm was displayed, by pressing the key 1/  for 3 seconds.
ASPIRATOR FAULT	Fumes motor fault	Contact after-sales centre
FUMES PROBE	Fumes probe failure.	Contact after-sales centre
HOT FUMES	High exhaust temperature	Check pellet feed (see "Easy Set Up"). If the problem cannot be solved, contact an authorised technician.
NO IGNITION	The pellet feed-box is empty. Pellet feed calibration inadequate. Thermostat bulbs tripped	Check for the presence of pellets in the feed-box. Adjust the pellet flow (see "Easy Set Up"). Check the procedures described in the "Ignition" chapter. Check the thermostats with bulbs (see chapter on resetting)
BLACK OUT NO IGNITION BLACK OUT	No current during the ignition phase.	Take the stove to OFF conditions using key 1 and repeat the procedure described in the "Ignition" chapter.

* on models with this function.

TO FIND OUT WHERE YOUR NEAREST SERVICE CENTRE IS, CONTACT YOUR DEALER OR GO TO THE WEBSITE WWW.LANORDICA-EXTRAFLAME.COM

NO FLAME	The pellet feed-box is empty. No pellet feed. The motor reducer does not feed pellets.	Check for the presence of pellets in the feed-box. Adjust the pellet flow (see "Easy Set Up").
ALL DEPR	The door is not closed correctly. The ash drawer is not closed correctly. The combustion chamber is dirty. The flue exhaust pipe is blocked/dirty	Check hermetic door closure. Check hermetic closure of the ash drawer. Check cleanliness of the fumes pipe and the combustion chamber.
H2O OVERTEMPERATURE	Air in the system Inadequate circulation	Possible air in the system; bleed the system. Lack of adequate circulation. Lack of or inadequate safety zone. The water in the stove has exceeded 95°C. Possible pump anomaly. If the problem persists, restore operations must be performed by an authorised technician.
MIN H2O PRESSURE ALARM	The system pressure read by the pressure switch is too low.	Possible air in the system; bleed the system. Possible lack of water or leaks due to anomalies in some system component. If the problem persists, contact the after-sales centre
H2O PROBE	H2O probe failure	Contact after-sales centre
MAX H2O PRESSURE ALARM	The pressure of the water has exceeded the max threshold	Possible air in the system; bleed the system. Check that the expansion vessels are not damaged or under-dimensioned Check that the cold system is loaded at the correct pressure If the problem persists, contact the after-sales centre
* PRESSURE SENSOR DAMAGED	Pressure differential sensor faulty, disconnected or failure.	Contact after-sales centre
* AUGER CONTROL	Abnormal pellet loading.	Contact after-sales centre
* AUGER BLOCK	Abnormal operation of pellet motor.	Contact after-sales centre
* BOILER PROBE	Boiler probe failure.	Contact after-sales centre
* BUFFER TANK PROBE	Buffer tank probe fault.	Contact after-sales centre
* TANK EMPTY	The pellet feed-box is empty.	Check for the presence of pellets in the feed-box. Contact after-sales centre
PWM INTERFACE ALARM	IPWM output interface damaged, in short circuit or not connected	Contact after-sales centre
HOT PWM ALARM	The pump is operating but not with good performance. Undervoltage 160-194v. Pump in circuit breaker protection mode.	Contact after-sales centre
STOPPED PWM ALARM	The pump has stopped but is still operational. Undervoltage < 160v. Overvoltage. Unexpected external flow.	Contact after-sales centre
STOPPED 2 PWM ALARM	The pump has stopped but is still operational. Problem in a component different to the pump. Debris in installation. Positioning in high temperature.	Contact after-sales centre
BLOCKED PWM ALARM	The pump has stopped permanently. Pump blocked. Electronic module damaged	Contact after-sales centre
FLOW PWM ALARM	Pump blocked. Liquid with high density. Pipe obstructed.	Contact after-sales centre
AIR FLOW METER FAULT	Component disconnected or faulty	Contact after-sales centre
CLEAN CHECK UP 1 - 2 (1* = START-UP PHASE) (2= WORK PHASE)	The bottom of the burning pot or the combustion chamber are dirty. The door is not closed correctly. The ash drawer is not closed correctly. The depression sensor is faulty. The flue exhaust pipe is blocked incorrect installation	Check that the holes at the bottom of the burning pot are completely free. Check the cleanliness of the fumes pipe and the combustion chamber. Check hermetic door closure. Check hermetic closure of the ash drawer. Other restoration operations must be performed by an authorised technician.

* on models with this function.

TO FIND OUT WHERE YOUR NEAREST SERVICE CENTRE IS, CONTACT YOUR DEALER OR GO TO THE WEBSITE WWW.LANORDICA-EXTRAFLAME.COM

Extraflame®

Riscaldamento a Pellet

EXTRAFLAME S.p.A. Via Dell'Artigianato, 12 36030 - MONTECCHIO PRECALCINO (VI) - ITALY
☎ +39.0445.865911 - 📠 +39.0445.865912 - ✉ info@extraflame.it - 🌐 www.lanordica-extraflame.com

MADE IN ITALY
design & production

*TO FIND THE SERVICE CENTRE NEAREST TO YOU
CONTACT YOUR DEALER OR CONSULT
THE SITE WWW.LANORDICA-EXTRAFLAME.COM*

The manufacturer reserves the right to vary the characteristics and the data reported in this pamphlet at any moment and without notice, in order to improve its products.